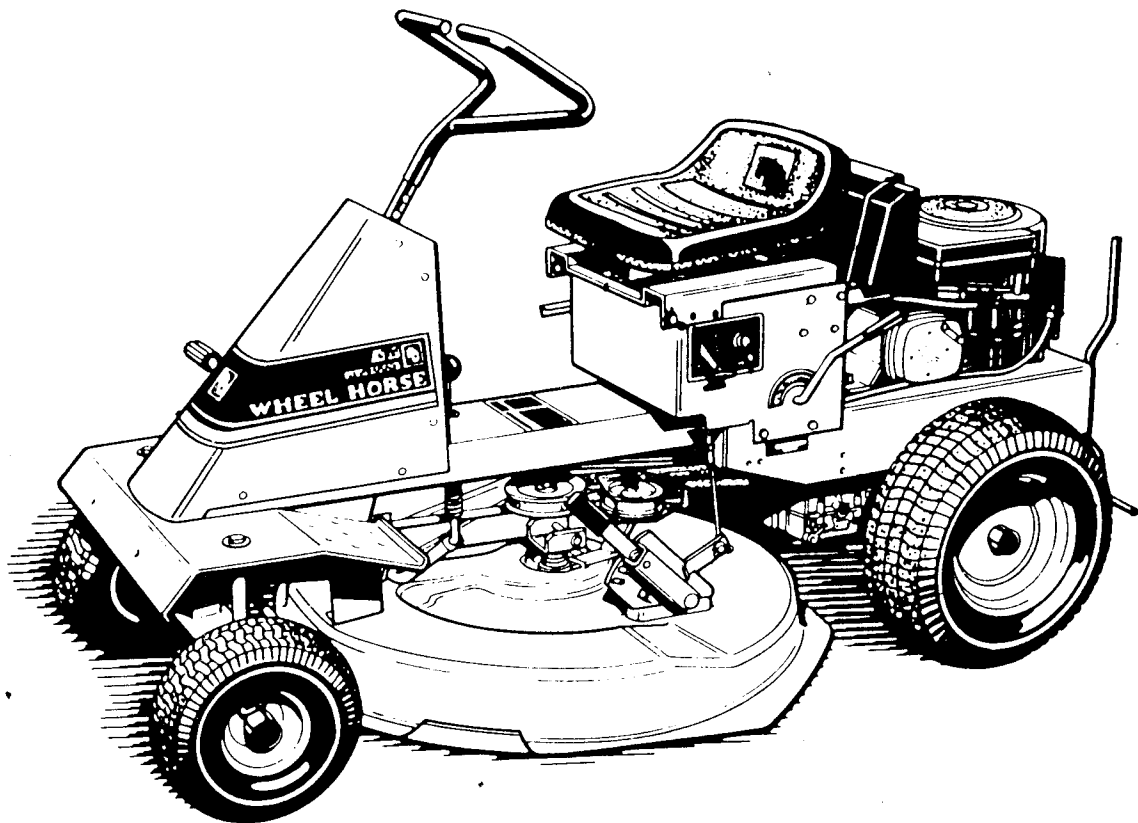


Parts & Service Manual

33-08B304	108-3	3-Speed
33-08B401	108-4	4-Speed
33-11B503	111-5	5-Speed
33-11B601	111-6	6-Speed



Wheel Horse

INTRODUCTION PAGE

1. How to use this parts manual

- 1.1 The 100-Series parts manual is divided into major sections arranged in the sequence as outlined on the following page. Major sections are subdivided into smaller groups of parts, each with its own illustration and illustration reference numbers.
- 1.2 Illustrated items are numerically keyed to the parts listing on the facing page. Illustrations are repeated when the parts list is too long for one page. Figure numbers are located at the bottom of each illustration and also at the beginning of each description column. Item numbers are numerically keyed to their respective illustrations.
- 1.3 A numerical index is located at the end of the manual.
- 1.4 When an (X) appears in the quantity (Qty) column use only if applicable, or as required to meet tolerances.

2. To locate parts

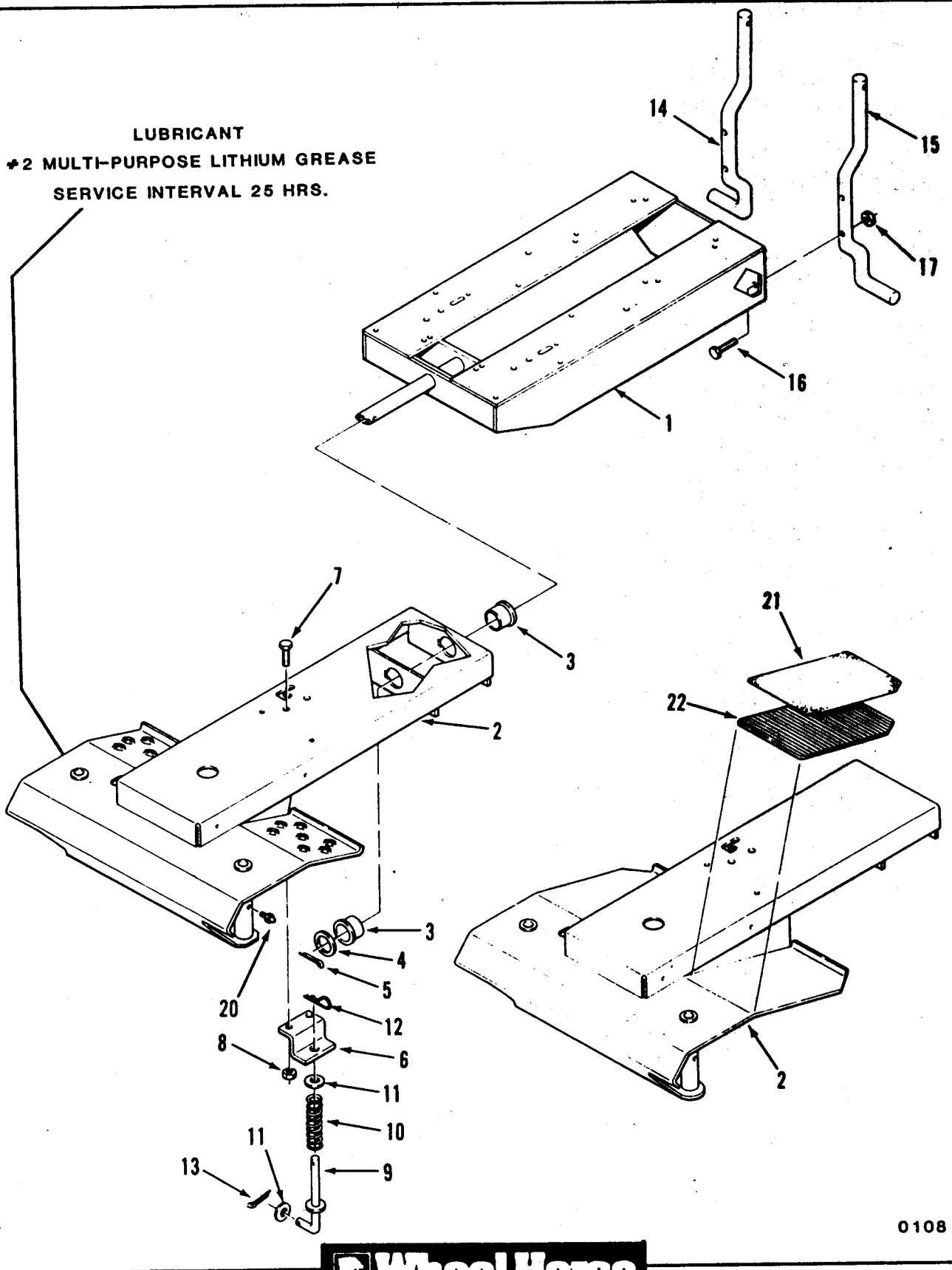
- 2.1 When function, use or location is known:
Refer to the List of Illustrations to locate the proper illustration.
- 2.2 When part number is known:
Refer to the Numerical Index.

3. Service Information

- 3.1 Special notes recorded on illustrations:
Refer to Section 18 photographs, owner & repair manuals and service bulletins for detailed information.
- 3.2 Standard torque values for fasteners:
Refer to Section 18 - Torque Specifications.
- 3.3 Paint:
Refer to Section 18 - Paint

<u>TITLE</u>	<u>FIGURE NUMBER</u>	<u>PAGE</u>
	Section 1	
Frame.....	1-1	2
	Section 3	
Mechanical Transmission - 3,4,5 & 6 Speed.....	3-1	4
	Section 5	
Front Axle and Steering.....	5-1	6
	Section 6	
Clutch, Brake Linkage.....	6-1	8
	Section 8	
Sheet Metal.....	8-1	10
	Section 9	
Engines.....	9-1	12
	Section 10	
Fuel System.....	10-1	14
	Section 11	
Electrical System - Electric Start.....	11-1	16-18
	Section 13	
Wheels and Tires.....	13-1	20
	Section 14	
Drive Belt and Pulleys.....	14-1	22
PTO Clutch, Pulleys, and Controls.....	14-2	24
	Section 15	
Seat and Suspension.....	15-1	26
Deals and Miscellaneous.....	15-2	28
	Section 16	
Mower Deck and Front Mount.....	16-1	30
Spindle, Pulleys, and Mower Drive Belt.....	16-2	32
	Section 17	
Wiring Diagram - Electric Start.....	17-1	34
	Section 18	
Service Information.....	None	36

LUBRICANT
#2 MULTI-PURPOSE LITHIUM GREASE
SERVICE INTERVAL 25 HRS.



0108



Figure 1-1 Frame

ITEM	PART NUMBER	DESCRIPTION	100-Series
		Figure 1-1 FRAME	
1	112502	Rear Frame Ass'y.....	1
2	111085	Front Frame Ass'y 108-3 Only.....	1
	111303	Front Frame Ass'y 108-4, 111-5, 111-6.....	1
3	110311	Flange Bearing.....	2
4	110426	Special Washer.....	X
5	932037	Cotter Pin 3/16 x 1 3/4.....	1
6	110406	Mower Hanger Bracket.....	1
7	908033	Bolt 3/8-16 x 7/8.....	2
8	915663	Elastic Nut 3/8-16.....	2
9	110913	Rod Assembly.....	1
10	109229	Compression Spring.....	1
11	920009	Washer 3/8 SAE.....	2
12	933505	Hairpin Cotter.....	1
13	932008	Cotter Pin 3/32 x 3/4.....	1
14	111088	Rear Rod RH.....	1
15	111087	Rear Rod LH.....	1
16	911439	Bolt 5/16-18 x 1 1/2.....	4
17	915662	E.S. Nut 5/16-18.....	4
20	MW1455	Grease Fitting.....	2
21	111300	Sandpaper Footrest Mat RH 108-4 Only.....	1
	111299	Sandpaper Footrest Mat LH 108-4 Only.....	1
22	111324	Rubber Footrest Mat RH 111-5, 111-6 Only.....	1
	111325	Rubber Footrest Mat LH 111-5, 111-6 Only.....	1

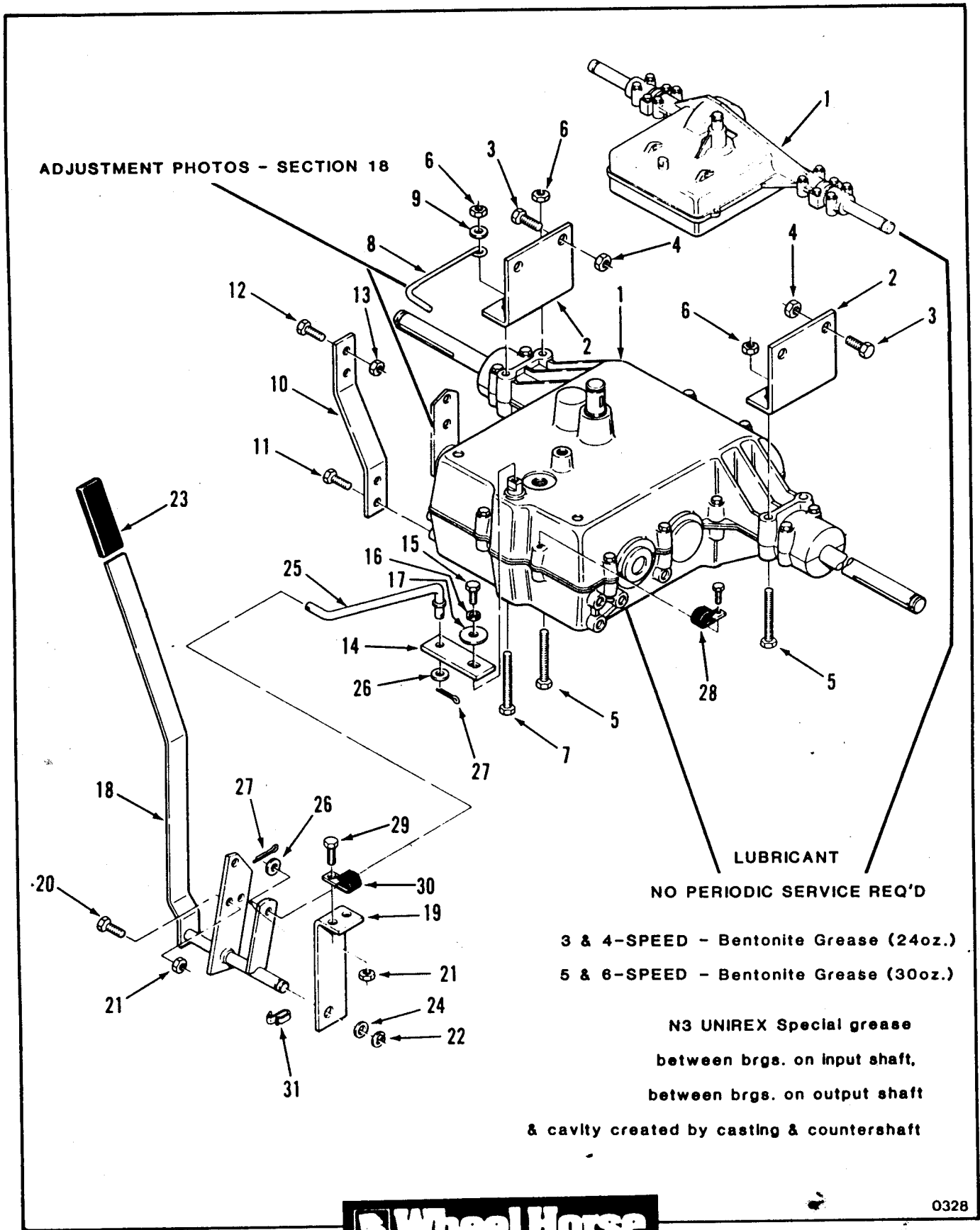
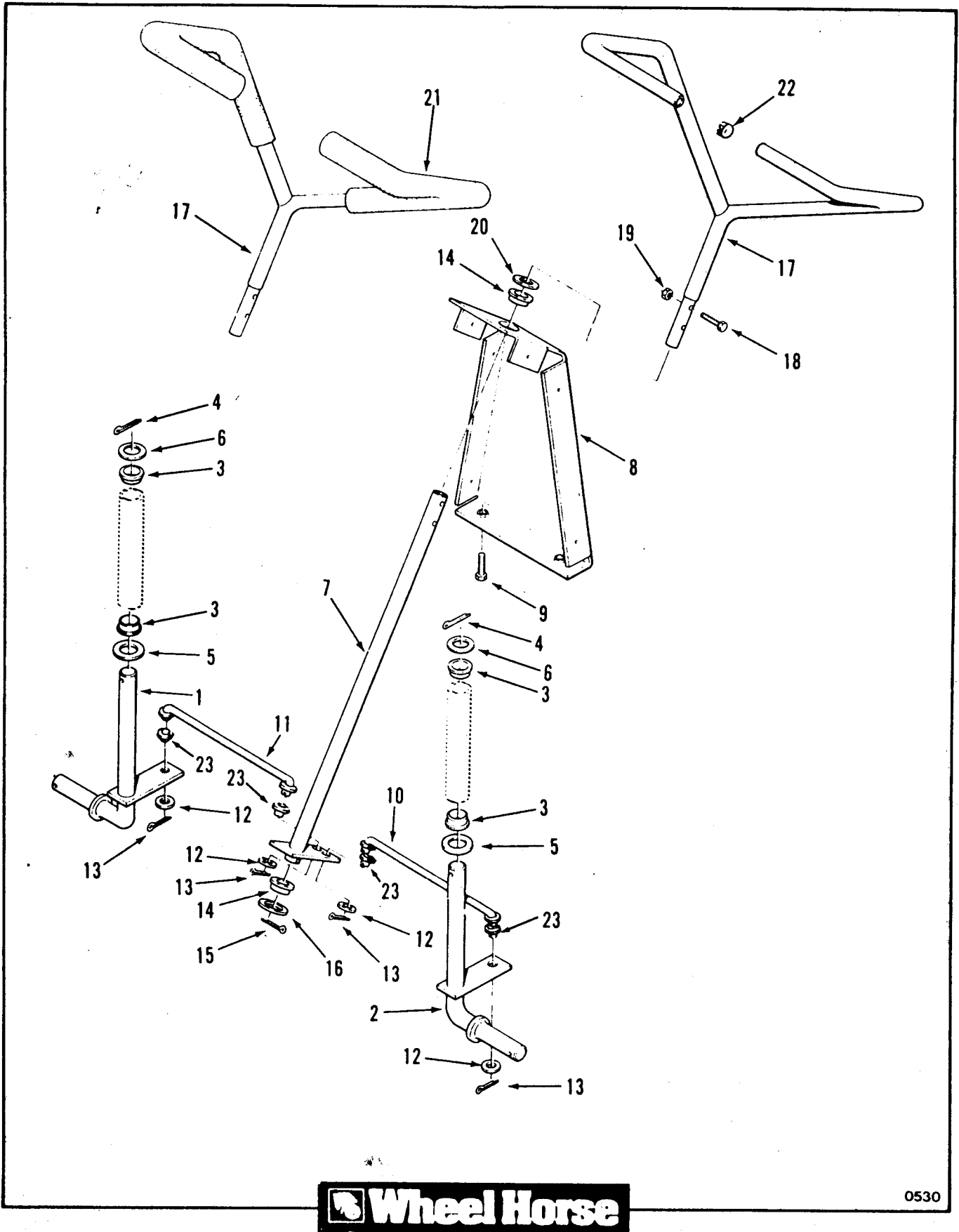


Figure 3-1 Mechanical Transmission

ITEM	PART NUMBER	DESCRIPTION	100-Series
		Figure 3-1	
		MECHANICAL TRANSMISSION	
1	110835*	Peerless Transmission (900-012A) 108-3 Only.....	1
	112137*	Peerless Transmission (900-028) 108-4 Only.....	1
	112136*	Peerless Transmission (920-008) 111-5 Only.....	1
	112102*	Peerless Transmission (920-007) 111-6 Only.....	1
2	110326	Rear Axle Bracket.....	2
3	913183	Hex Bolt 3/8-16 x 7/8 Grd 5.....	4
4	915663	Elastic Nut 3/8-16.....	4
5	908025	Hex Bolt 5/16-18 x 2 1/2.....	3
6	915662	Elastic Nut 5/16-18.....	4
7	908026	Hex Bolt 5/16-18 x 2 3/4.....	1
8	110848	Brake Stop Rod.....	1
9	920008	Washer 5/16 SAE.....	5
10	110836	Torque Strap 108-3,108-4 Only.....	1
	112138	Torque Strap 111-5,111-6 Only.....	1
11	926720	Swage Form Hex Bolt 5/16-18 x 3/4.....	2
12	908017	Hex Bolt 5/15-18 x 3/4.....	2
13	915662	Elastic Nut 5/16-18.....	2
14	110330	Lower Shift Lever.....	1
15	908153	Eslok Bolt 1/4-28 x 7/8.....	1
16	920081	Lockwasher 1/4.....	1
17	104869	Special Washer.....	1
18	111109	Shift Lever Assy.....	1
19	111106	Shift Support.....	1
20	908017	Bolt 5/16-18 x 3/4.....	4
21	915662	Elastic Nut 5/16-18.....	4
22	5701	E-Ring.....	1
23	102597	Grip.....	1
24	920259	Washer 3/8 SAE.....	X
25	110849	Lower Shift Rod 108-3 Only.....	1
	112189	Lower Shift Rod 108-4 Only.....	1
	112128	Lower Shift Rod 111-5, 111-6 Only.....	1
26	920008	Washer 5/16 SAE.....	2
27	932008	Cotter Pin 3/32 x 3/4.....	2
28	111357	"J" Clip (1/4 Bolt Size).....	1
29	913160	Hex Head Bolt 5/16-18 x 3/4 Grd 5.....	2
30	111392	"J" Cilp (5/16 Bolt Size).....	1
31	519337	Clip.....	1

*Order Replacement Parts or Complete Assembly Through Manufacturer's Distribution System, Using Model/Spec. Number Shown.

Wheel Horse Part Number Is Listed For Cross-Reference Purposes Only; Item Is not Available Through Wheel Horse.



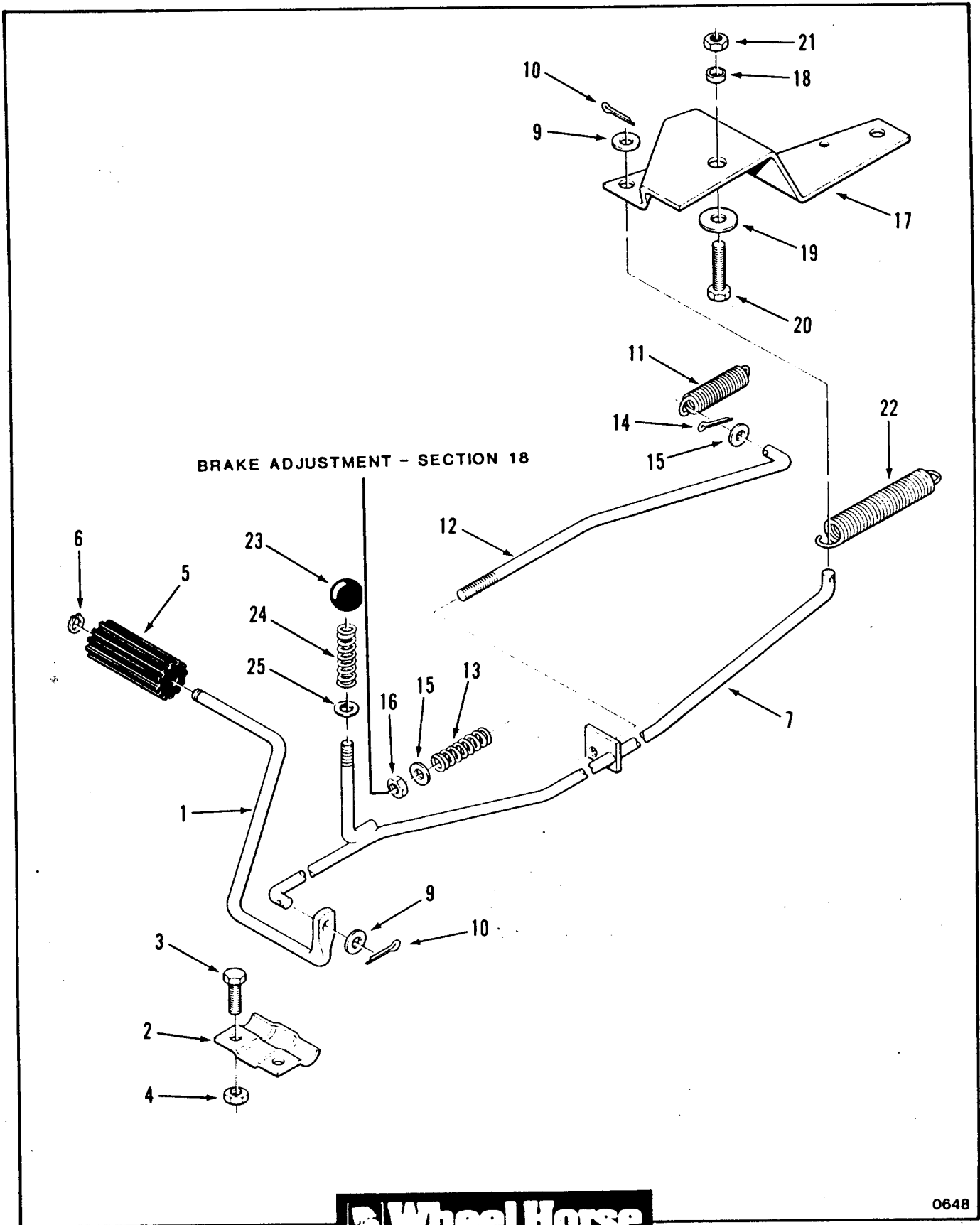
0530

Figure 5-1 Front Axle and Steering

SECTION 5 - FRONT AXLE AND STEERING

7

ITEM	PART NUMBER	DESCRIPTION	100-Series
		Figure 5-1	
		FRONT AXLE AND STEERING	
1	112104	Spindle Assy RH.....	1
2	112103	Spindle Assy LH.....	1
3	111102	Bushing.....	4
4	932018	Cotter Pin 1/8 x 1 1/4.....	2
5	920015	Washer 3/4 SAE.....	2
6	1278	Shim Washer .050.....	X
7	112106	Steering Shaft Assy.....	1
8	110320	Upper Steering Support 108-3, 108-4 Only.....	1
	110923	Upper Steering Support 111-5 Only.....	1
	110924	Upper Steering Support 111-6 Only.....	1
9	926720	Swage Form Bolt 5/26-18 x 3/4.....	2
10	112129	Tie Rod LH.....	1
11	112130	Tie Rod RH.....	1
12	920237	Special Washer.....	4
13	932008	Cotter Pin 3/32 x 3/4.....	4
14	110324	Bushing.....	2
15	932018	Cotter Pin 1/8 x 1 1/4.....	1
16	109262	Washer.....	1
17	110889	Steering Wheel.....	1
18	908006	Bolt 1/4-20 x 1 1/4.....	2
19	915661	E.S.Nut 1/4-20.....	2
20	920215	Special Washer.....	X
21	110892	Steering Wheel Grips 111-5,111-6 Only.....	2
22	112302	Button Plug 108-3,108-4 Only.....	2
23	112108	Bushing.....	4



SECTION 5 - FRONT AXLE AND STEERING

7

ITEM	PART NUMBER	DESCRIPTION	100-Series
		Figure 5-1	
		FRONT AXLE AND STEERING	
1	112104	Spindle Assy RH.....	1
2	112103	Spindle Assy LH.....	1
3	111102	Bushing.....	4
4	932018	Cotter Pin 1/8 x 1 1/4.....	2
5	920015	Washer 3/4 SAE.....	2
6	1278	Shim Washer .050.....	X
7	112106	Steering Shaft Assy.....	1
8	110320	Upper Steering Support 108-3, 108-4 Only.....	1
	110923	Upper Steering Support 111-5 Only.....	1
	110924	Upper Steering Support 111-6 Only.....	1
9	926720	Swage Form Bolt 5/26-18 x 3/4.....	2
10	112129	Tie Rod LH.....	1
11	112130	Tie Rod RH.....	1
12	920237	Special Washer.....	4
13	932008	Cotter Pin 3/32 x 3/4.....	4
14	110324	Bushing.....	2
15	932018	Cotter Pin 1/8 x 1 1/4.....	1
16	109262	Washer.....	1
17	110889	Steering Wheel.....	1
18	908006	Bolt 1/4-20 x 1 1/4.....	2
19	915661	E.S.Nut 1/4-20.....	2
20	920215	Special Washer.....	X
21	110892	Steering Wheel Grips 111-5,111-6 Only.....	2
22	112302	Button Plug 108-3,108-4 Only.....	2
23	112108	Bushing.....	4

ITEM	PART NUMBER	DESCRIPTION	100-Series
------	-------------	-------------	------------

Figure 6-1

CLUTCH, BRAKE LINKAGE

1	110340	Clutch/Brake Pedal Rod.....	1
2	108861	Pedal Support Bracket.....	1
3	908032	Bolt 3/8-16 x 3/4.....	2
4	915663	Eslok Nut 3/8-16.....	2
5	108854	Clutch/Brake Pedal Pad.....	1
6	106649	Grip Ring.....	1
7	111715	Clutch Rod Assy.....	1
9	920009	Washer 3/8 SAE.....	2
10	932008	Cotter Pin 3/32 x 3/4.....	2
11	103628	Extension Spring.....	1
12	110911	Brake Rod.....	1
13	109832	Brake Spring.....	1
14	932008	Cotter Pin 3/32 x 3/4.....	1
15	920009	Washer 3/8 SAE.....	2
16	915663	Eslok Nut 3/8-16.....	1
17	110363	Clutch Traction Lever.....	1
18	111108	Spacer.....	1
19	2844	Special Washer.....	1
20	908035	Bolt 3/8-16 x 1 1/4.....	1
21	915663	Eslok Nut 3/8-16.....	1
22	111159	Extension Spring.....	1
23	111070	Round Knob.....	1
24	104841	Spring.....	1
25	107675	Nylon Washer.....	1

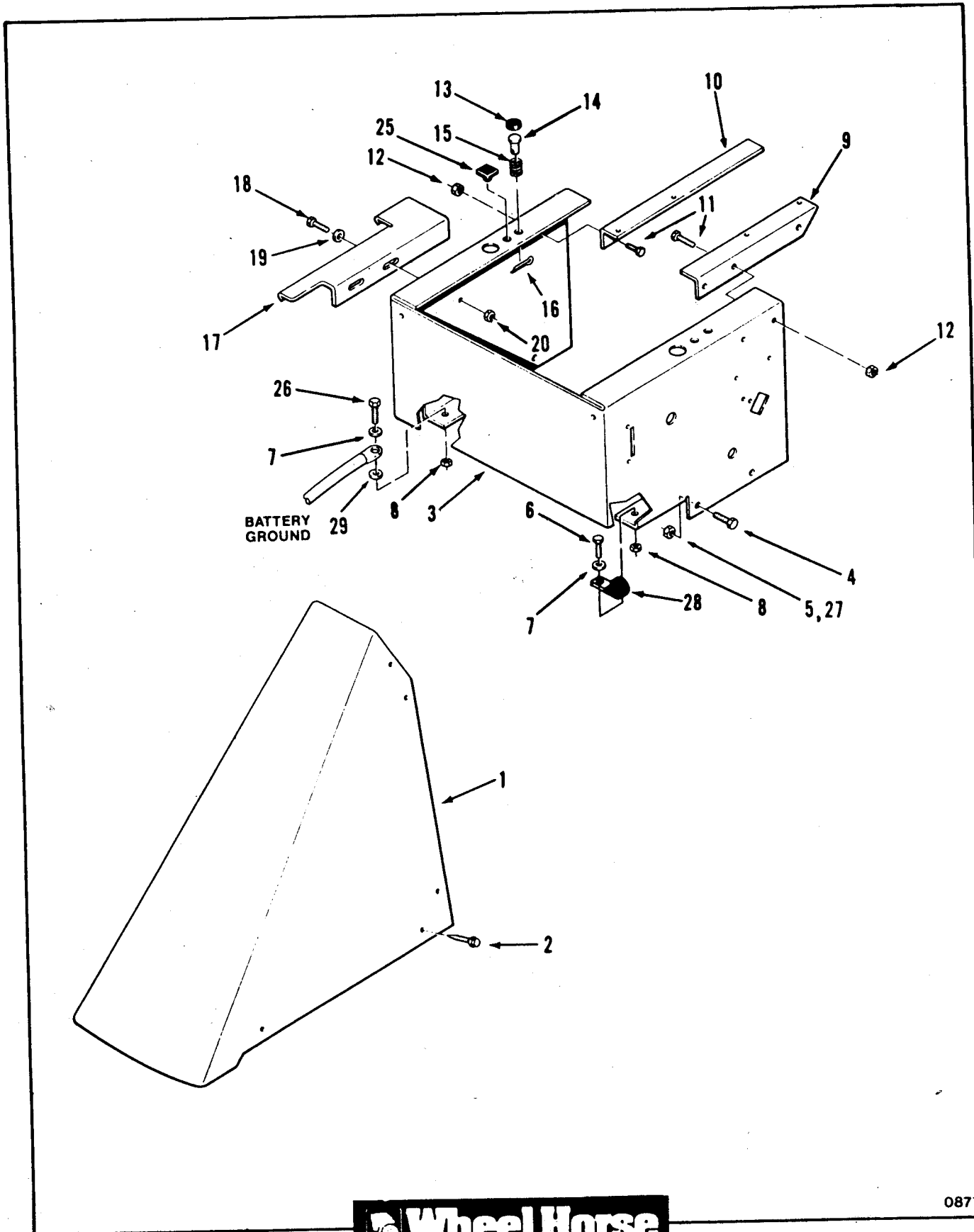
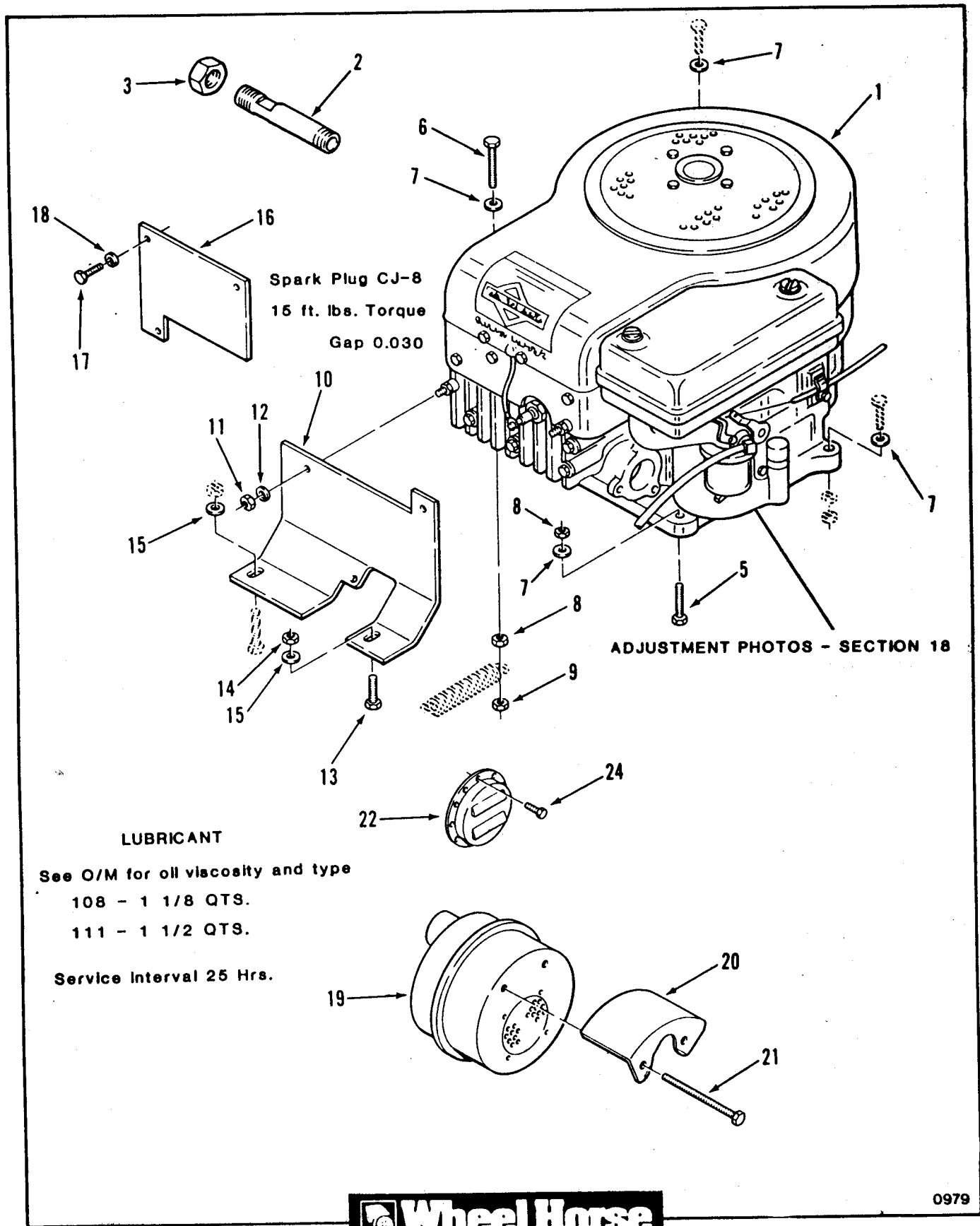


Figure 8-1 Sheet Metal

ITEM	PART NUMBER	DESCRIPTION	100-Series
		Figure 8-1	
		SHEET METAL	
1	110323	Steering Shroud Cover.....	1
2	110430	Hex Washer Head Self Tapping Screw.....	10
3	111306	Seat Support.....	1
4	913183	Bolt 3/8-16 x 7/8 GRD 5.....	3
5	915663	E.S.Nut 3/8-16.....	4
6	908017	Bolt 5/16-18 x 3/4.....	1
7	920008	Washer 5/16 SAE.....	2
8	915662	E.S.Nut 5/16-18.....	2
9	110353	Fuel Tank Support Angle LH.....	1
10	110354	Fuel Tank Support Angle RH.....	1
11	908015	Bolt 5/16-18 x 1/2.....	4
12	915112	Eslok Nut 5/16-18.....	4
13	106331	Cup.....	2
14	106449	Pin.....	2
15	104841	Spring.....	2
16	932008	Cotter Pin 3/32 x 3/4.....	2
17	110470	Shift Plate.....	1
18	908017	Bolt 5/16-18 x 3/4.....	2
19	920008	Washer 5/16 SAE.....	2
20	915662	E.S. Nut 5/16-18.....	2
25	111071	Bumper.....	2
26	908019	Ground Wire Bolt 5/16-18 X 1.....	1
27	915113	Eslok Nut 3/8-16.....	1
28	8830	"J" Clip (3/8 Bolt Size).....	1
29	920155	Internal Tooth Lockwasher 5/16.....	1



0979

Figure 9-1 Engines

ITEM	PART NUMBER	DESCRIPTION	100-Series
		Figure 9-1	
		ENGINES	
1	110875*	Engine - 8 HP B&S Model 190707 Type 2176-01 108-3 Only.....	1
	110877*	Engine - 8 HP B&S Model 191707 Type 2154-01 108-4 Only.....	1
	112120*	Engine - 11 HP B&S Model 252707 Type 0682-02 111-5 Only.....	1
	110895*	Engine - 11 HP B&S Model 253606 Type 0170-01 111-6 Only.....	1
2	112676	Drain Pipe 108-4,111-5,111-6 Only.....	1
3	5224	Pipe Cap 111-5 Only.....	1
5	908021	Bolt 5/16-18 x 1 1/2.....	2
6	908023	Bolt 5/16-18 x 2.....	1
7	920008	Washer 5/16 SAE.....	4
8	915662	E.S.Nut 5/16-18.....	3
9	915112	Eslok Nut 5/16-18.....	1
10	110360	Engine Head Bracket 8 H.P. Models.....	1
	112910	Engine Head Bracket 11 H.P. Models.....	1
11	915112	Nut 5/16-18.....	2
12	920082	Lockwasher.....	2
13	908033	Bolt 3/8-16 x 7/8.....	1
14	915663	E.S.Nut 3/8-16.....	1
15	920009	Washer 3/8 SAE.....	2
16	110439	Spring Plate 11 H.P. Models.....	1
17	908003	Hex HD Screw 1/4-20 x 3/4.....	2
18	920081	Lockwasher 1/4.....	2
19	110774	Black Muffler w/ Deflector & Screws 111-5 Only...	1
	110771	Chrome Muffler w/ Deflector & Screws 111-6 Only..	1
20	110775	Black Deflector 45° 111-5 Only.....	1
	110772	Chrome Deflector 45° 111-6 Only.....	1
21	913406	Screw 8-32 x 3/8 111-5 Only.....	2
	110773	Screw 8-32 x 3/8 111-6 Only.....	4
22	*	Louvered Deflector.....	1
24	*	Screw.....	4

*Engines and Engine Parts are available through Engine Manufacturer's Distribution System, using Model and Spec. Numbers Shown Above.

WHEEL HORSE Part Numbers are Listed for Cross Reference Purposes Only; Engines and Engine Parts Are Not Available through the WHEEL HORSE Distribution System.

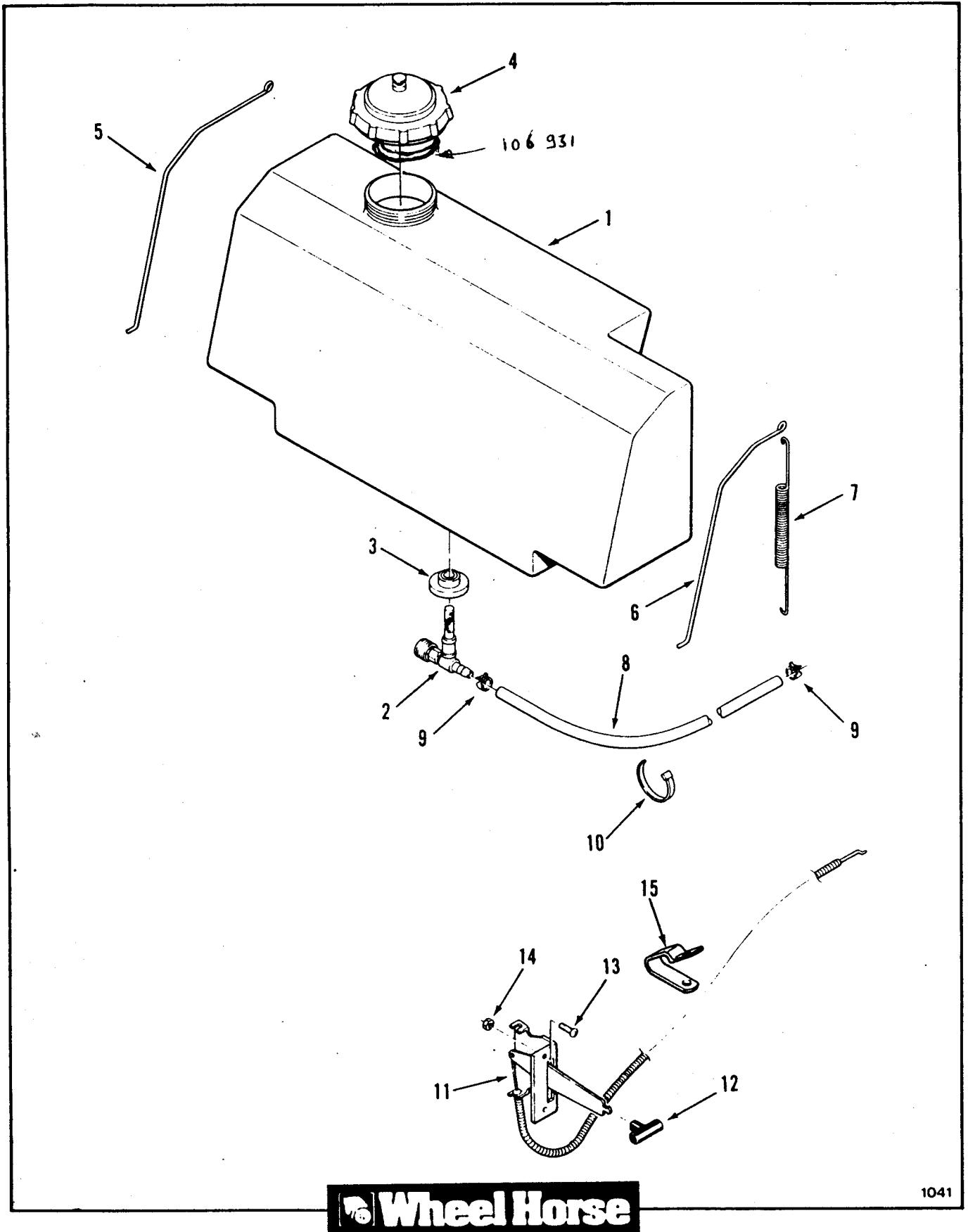


Figure 10-1 Fuel System

ITEM	PART NUMBER	DESCRIPTION	100-Series
		Figure 10-1 FUEL SYSTEM	
1	110423	Fuel Tank Assy.....	1
2	104048	Fuel Tank Fitting w/ Screen.....	1
3	104047	Bushing.....	1
4	110352	Fuel Tank Cap.....	1
5	110925	Fuel Tank Retainer RH.....	1
6	110926	Fuel Tank Retainer LH.....	1
7	110927	Spring.....	2
8	8714	Fuel Hose 8.50".(21.6cm).....	1
	112570	Fuel Hose Bulk 50' (15.24m).....	X
9	108898	Hose Clamp.....	2
10	100571	Cable Tie.....	1
11	110878	Choke/Throttle Control.....	1
12	107045	Choke/Throttle Knob.....	1
13	910792	Pan Head Screw.....	2
14	915740	E.S. Nut #10-24.....	2
15	110618	Double Clamp.....	1

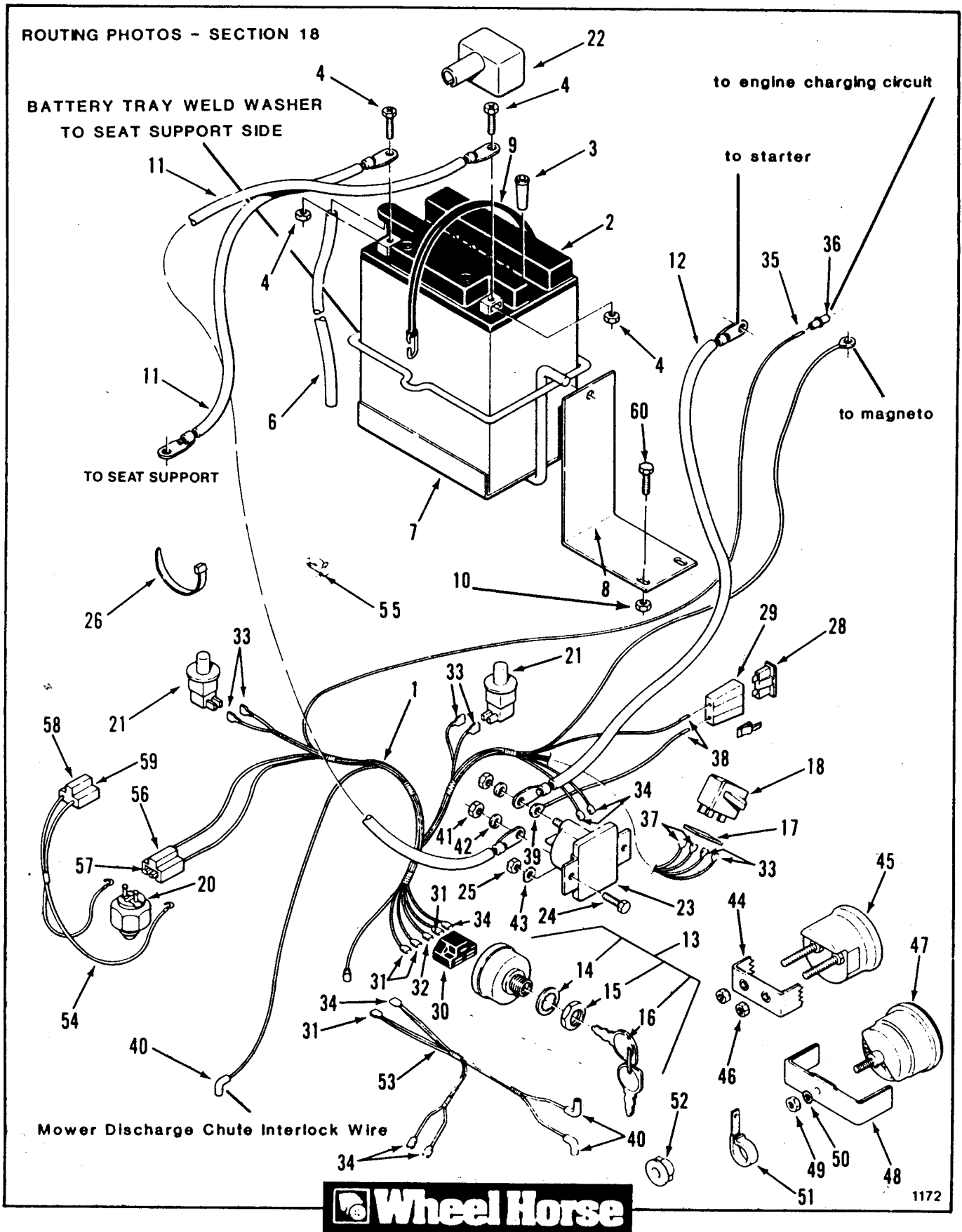


Figure 11-1 Electrical System - 51-41-81

ITEM	PART NUMBER	DESCRIPTION	100-Series
------	-------------	-------------	------------

Figure 11-1
ELECTRICAL SYSTEM - ELECTRIC START

1	111363	Wiring Harness.....	1
2	110379	Battery.....	1
3	110427	Battery Acid Adapter.....	1
4	111185	Battery Metric Nut & Bolt Assy.....	X
6	110424	Battery Drain Hose.....	1
7	111335	Battery Saddle Tray Ass'y.....	1
8	111339	Battery Tray Bracket.....	1
9	111340	Battery Hold-Down Strap.....	1
10	915112	Eslok Nut 5/16-18.....	2
11	111341	Battery Ground Cable & Battery to Solenoid Cable.	2
12	111075	Solenoid To Engine Starter Cable.....	1
13	111215	Ignition Switch Ass'y.....	1
14	920160	Internal Lockwasher 5/8.....	1
15	101884	Nut 5/8-32.....	1
16	111220	Ignition Key (Set Of 2).....	1
	111214	Ignition Key Padded (Set of 2) 111-6 Only.....	1
17	110501	Dirt Shield.....	1
18	110971	PTO Interlock Switch w/ item 17.....	1
20	111365	Transmission Interlock Switch.....	1
21	109329	Seat Interlock Switch.....	2
22	111045	Cable Boot.....	1
23	110167	Solenoid.....	1
24	960151	Whizlok Bolt 1/4-20 x 1/2.....	2
25	915111	Eslok Nut 1/4-20.....	2
26	100571	Cable Tie.....	4
28	109355	15 Amp Fuse.....	1
29	109117	Fuse Holder.....	1
30	105302	Terminal Housing (Part of 1).....	1
31	102651	Wire Terminal (Part of 1).....	1
32	105306	Wire Terminal (Part of 1).....	1
33	518077	Wire Terminal (Part of 1).....	6
34	8765	Wire Terminal (Part of 1).....	3
35	518074	Socket Contact (Part of 1).....	1
36	107831	Body (Part of 1).....	1
37	109378	Wire Terminal (Part of 1).....	2
38	108995	Wire Terminal (Part of 1).....	2
39	518007	Wire Terminal (Part of 1).....	1
40	518246	Wire Terminal (Part of 1).....	1
41	915234	Hex Jam Nut 1/4-20.....	2
42	920081	Lockwasher 1/4.....	2
43	920122	External Tooth Lockwasher 1/4.....	2

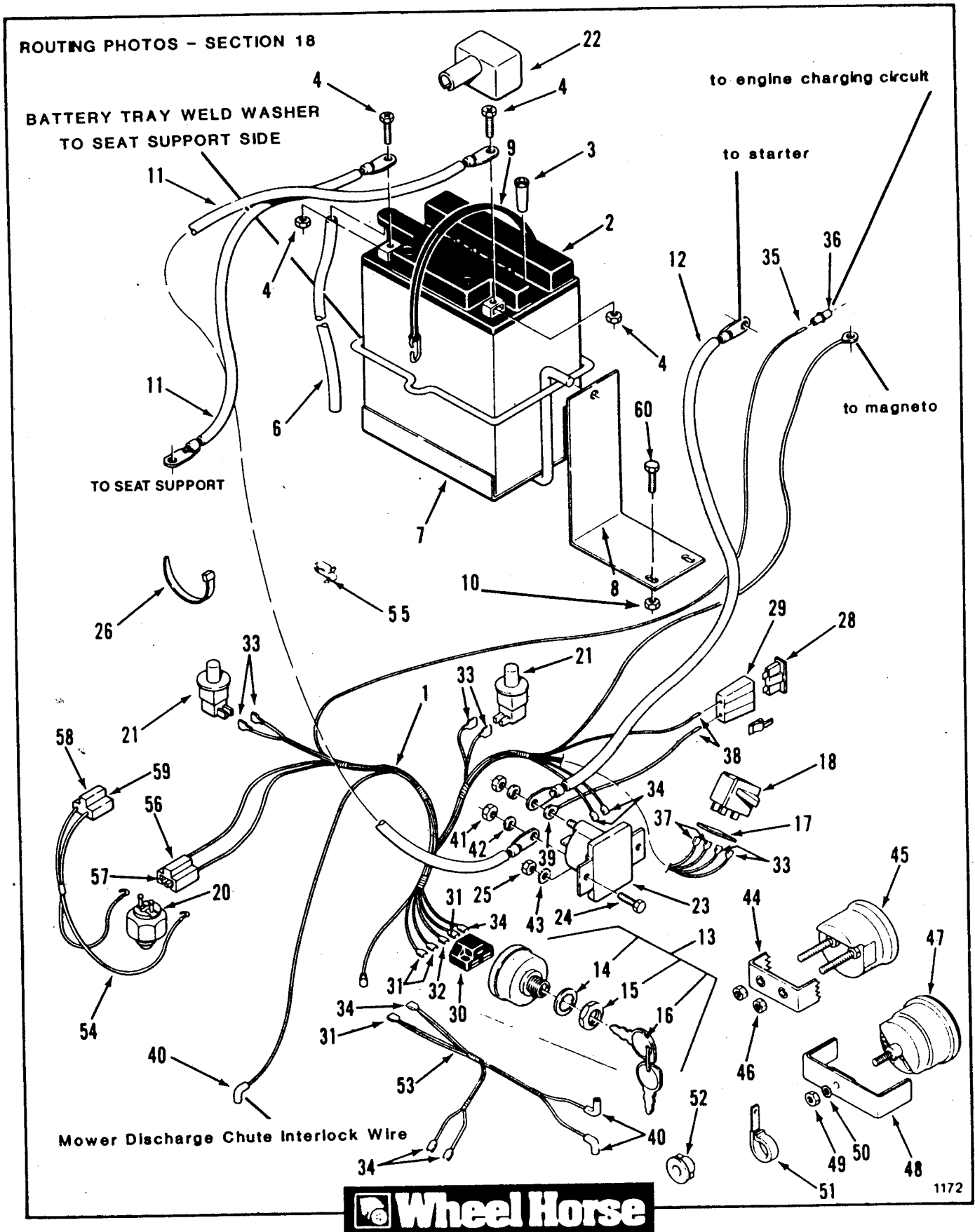


Figure 11-1 Electrical System - Electric Start

ITEM	PART NUMBER	DESCRIPTION	100-Series
Figure 11-1			
ELECTRICAL SYSTEM - ELECTRIC START (CONTINUED)			
44	109650	Clamp 111-5,111-6 Only.....	1
45	110741	Voltmeter w/ Clamp 111-5,111-6 Only.....	1
46	5924	E.S. Nut #10-32 111-5.111-6 Only.....	2
47	110853	Hourmeter w/ Bracket 111-6 Only.....	1
48	108768	Steel Clamp 111-6 Only.....	1
49	915538	Hex Nut #10-24 111-6 Only.....	1
50	920120	Lockwasher.....	1
51	105490	Clamp.....	1
52	938018	Bushing Snap.....	1
53	110893	Volt & Hourmeter Harness.....	1
54	111364	Wiring Harness.....	1
55	3023	Clip 1/16.....	2
56	109375	Connector Body (Part of 1).....	1
57	105312	Male Terminals (Part of 1).....	2
58	110459	Connector (Part of 54).....	1
59	105306	Female Terminals (Part of 54).....	2
60	908017	Hex Bolt 5/16-18 x 3/4.....	1

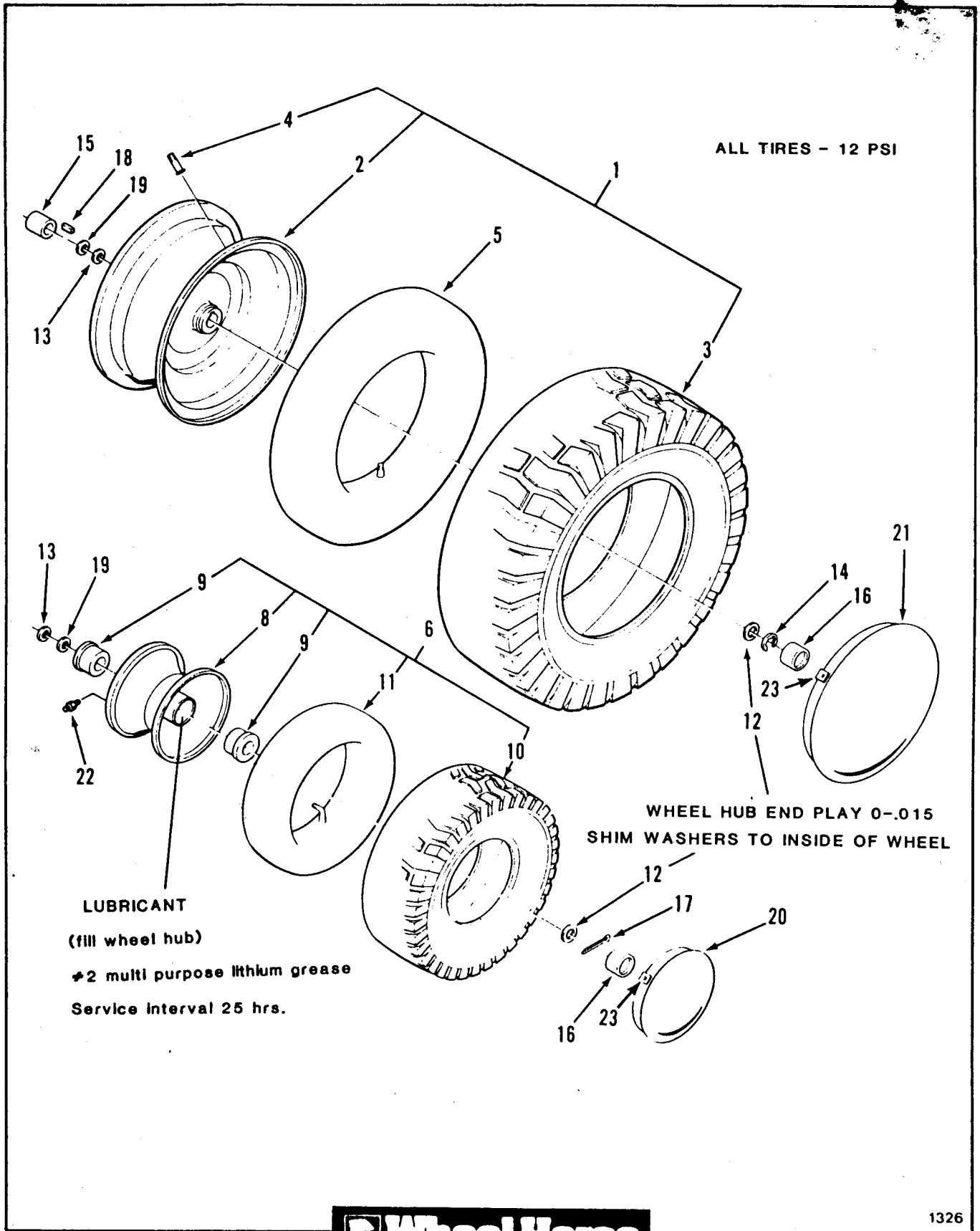


Figure 13-1 Wheels and Tires

ITEM	PART NUMBER	DESCRIPTION	100-Series
		Figure 13-1 WHEELS AND TIRES	
1	110879	Rear Wheel And Tire Assy 108-3 Only.....	2
	110880	Rear Wheel And Tire Assy 108-4 Only.....	2
	112195	Rear Wheel And Tire Assy 111-5,111-6 Only(silver)	2
2	110881	Rear Wheel 108-3,108-4 Only.....	1
	112196	Rear Wheel 111-5,111-6 Only (silver).....	1
3	110883	Rear Tire 4.80 x 4.00-8 108-3 Only.....	1
	110882	Rear Tire 16 x 6.50-8 108-4 Only.....	1
	9792	Rear Tire 16 x 6.50-8 111-5,111-6 Only.....	1
4	5108	Valve Stem.....	1
5	105293	Inner Tube Service Only.....	X
6	110884	Front Wheel And Tire Assy 108-3 Only.....	2
	110885	Front Wheel And Tire Assy 108-4 Only.....	2
	110898	Front Wheel And Tire Assy 111-5,111-6 Only.....	2
8	110886	Frt Wheel w/Bushings & Grease Fitting 108-4.....	1
	110899	Frt Wheel w/Bushings & Grease Fitting 111-5,111-6	1
9	110391	Bushing 108-4 Only.....	2
6385	100166	Bushing 111-5,111-6 Only.....	2
10	110888	Tire 4.10 x 3.50-4 108-4 Only.....	1
	108444	Tire 4.10 x 3.50-4 111-5,111-6 Only.....	1
11	100041	Front Tube Service Only 108-4,111-5,111-6 Only...	X
12	109262	Wheel Washer.....	4
13	920250	Shim Washer .050.....	X
14	104636	E-Ring.....	2
15	110387	Axle Spacer.....	2
16	109154	Hub Cap 108-4 Only.....	2
	109261	Hub Cap 108-3,108-4 (4 Req. on 111-5, 2 Req. on 111-6) (Black).....	2
17	932018	Cotter Pin 1/8 x 1 1/4".....	2
18	1120	Square Key 3/16 x 1 3/4.....	2
19	5210	Washer .015 As Req.....	X
20	112121	Wheel Horse Logo Hub Cap 4" 111-6 Only.....	2
21	112123	Wheel Horse Logo Hub Cap 8" 111-6 Only.....	2
22	109500	Grease Fitting.....	2
23	111938	Hub Cap Clip.....	X

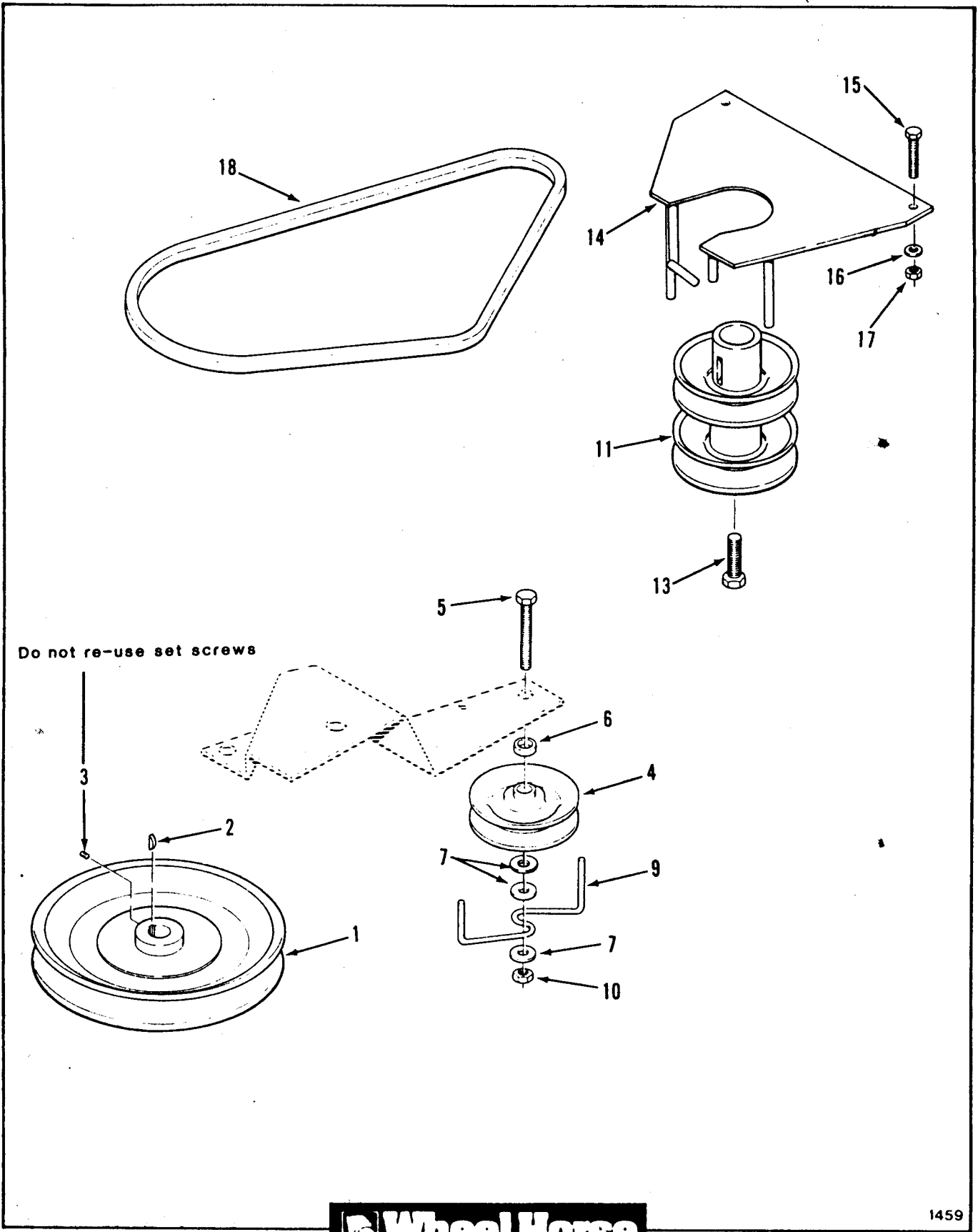


Figure 14-1 Drive Belt and Pulleys

ITEM	PART NUMBER	DESCRIPTION	100-Series
		Figure 14-1 DRIVE BELT AND PULLEYS	
1	111136	Transmission Pulley.....	1
2	937225	#9 Hi-Pro Key.....	1
3	909862	Set Screw.....	2
4	8205	V Idler Pulley.....	1
5	908038	Bolt 3/8-16 x 2.....	1
6	111108	Spacer.....	1
7	920039	Special Washer 3/8.....	3
9	110362	V Idler Pulley Belt Guide.....	1
10	109779	Jam Nut 3/8-16.....	1
11	112509	Engine Pulley.....	1
13	908196	Nylok Bolt 7/16-20 x 1 1/4.....	1
14	112746	Engine Pulley Belt Guide Ass'y.....	1
15	908022	Bolt 5/16-18 x 1 3/4.....	2
16	920008	Washer 5/16 SAE.....	2
17	915662	E.S. Nut 5/16-18.....	2
18	110364	Transmission Drive Belt (33.38").....	1

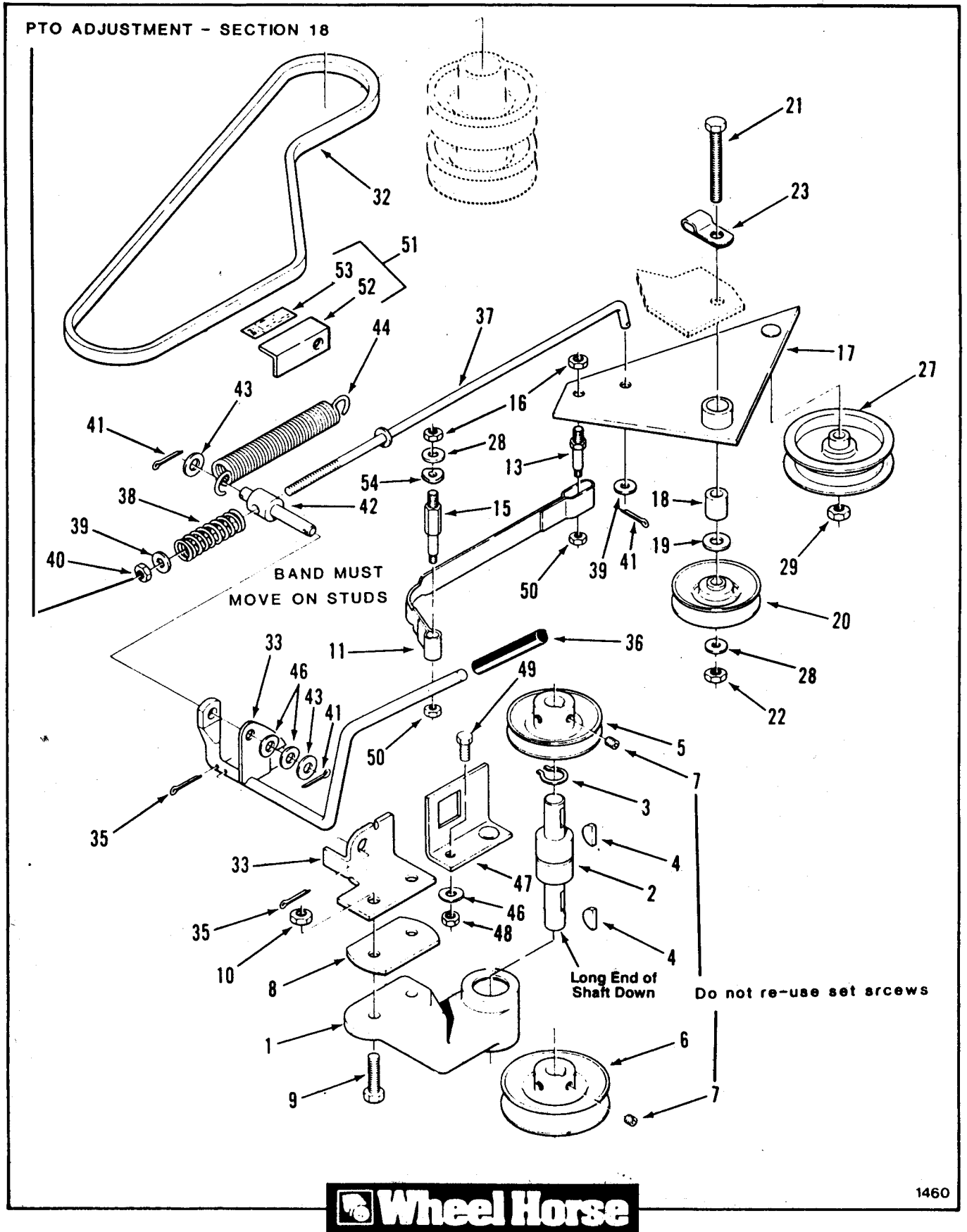


Figure 14-2 PTO Clutch, Pulleys, And Controls

ITEM	PART NUMBER	DESCRIPTION	100-Series
------	-------------	-------------	------------

Figure 14-2
PTO CLUTCH, PULLEYS, AND CONTROLS

1	8971	Jack Shaft Housing.....	1
2	106388	Integral Shaft Bearing.....	1
3	936021	Retaining Ring.....	1
4	937089	#9 Woodruff Key.....	2
5	112109	Upper Jackshaft Pulley.....	1
6	108172	Lower Jackshaft Pulley.....	1
7	909862	Set Screw 5/16-18 x 5/16.....	4
8	110365	Spacer Plate.....	1
9	908035	Bolt 3/8-16 x 1 1/4.....	2
10	915663	E.S. Nut 3/8-16.....	2
11	112110	PTO Brake Band... <i>met spec NR. Findyend op. B302/B303/B304</i>	1 <i>anders. 110371</i>
13	111729	Shoulder Bolt.....	1
15	111730	Long Shoulder Bolt.....	1
16	915112	Eslok Nut 5/16-18.....	2
17	112111	PTO Clutch Lever Assy.....	1
18	110369	Spacer.....	1
19	920249	Special Washer.....	1
20	8510	V Idler Pulley..... <i>O.F. 11.03.70</i>	1
21	908040	Bolt 3/8-16 x 2 1/2.....	1
22	915663	Elastic Nut 3/8-16.....	1
23	110618	Double Clip.....	1
27	112425	Flat Idler Pulley..... <i>O.F. (1.0.5.8.7.4. oud model)</i>	1
28	920009	Washer 3/8 SAE.....	2
29	109779	E.S. Nut 3/8-16 2 way lock.....	1
32	112114	PTO Drive Belt (40.4") <i>met spec NR. eindyend op. B302/B303/B304</i>	1 <i>anders. 110371</i>
33	111057	PTO Handle.....	1
35	932008	Cotter Pin 3/32 x 3/4.....	2
36	9038	Handle Grip.....	1
37	111676	PTO Handle To Lever Rod.....	1
38	112113	Compression Spring.....	1
39	920008	Washer 5/16 SAE.....	2
40	915662	E.S. Nut 5/16-18.....	1
41	932008	Cotter Pin 3/32 x 3/4.....	3
42	111755	Trunnion.....	1
43	920009	Washer 3/8 SAE.....	2
44	6651	PTO Brake Spring.....	1
46	108571	Spring Washer.....	X
47	111058	Switch Bracket.....	1
48	915661	E.S. Nut 1/4-20.....	1
49	908002	Bolt 1/4-20 x 5/8.....	1
50	915111	Eslok Nut 1/4-20.....	2
51	112183	PTO Indicator Bracket Assy (includes items 52 & 53).....	1
52	112115	Bracket.....	1
53	112116	Decal - PTO Adjustment Indicator.....	1
54	2844	Special Washer.....	1

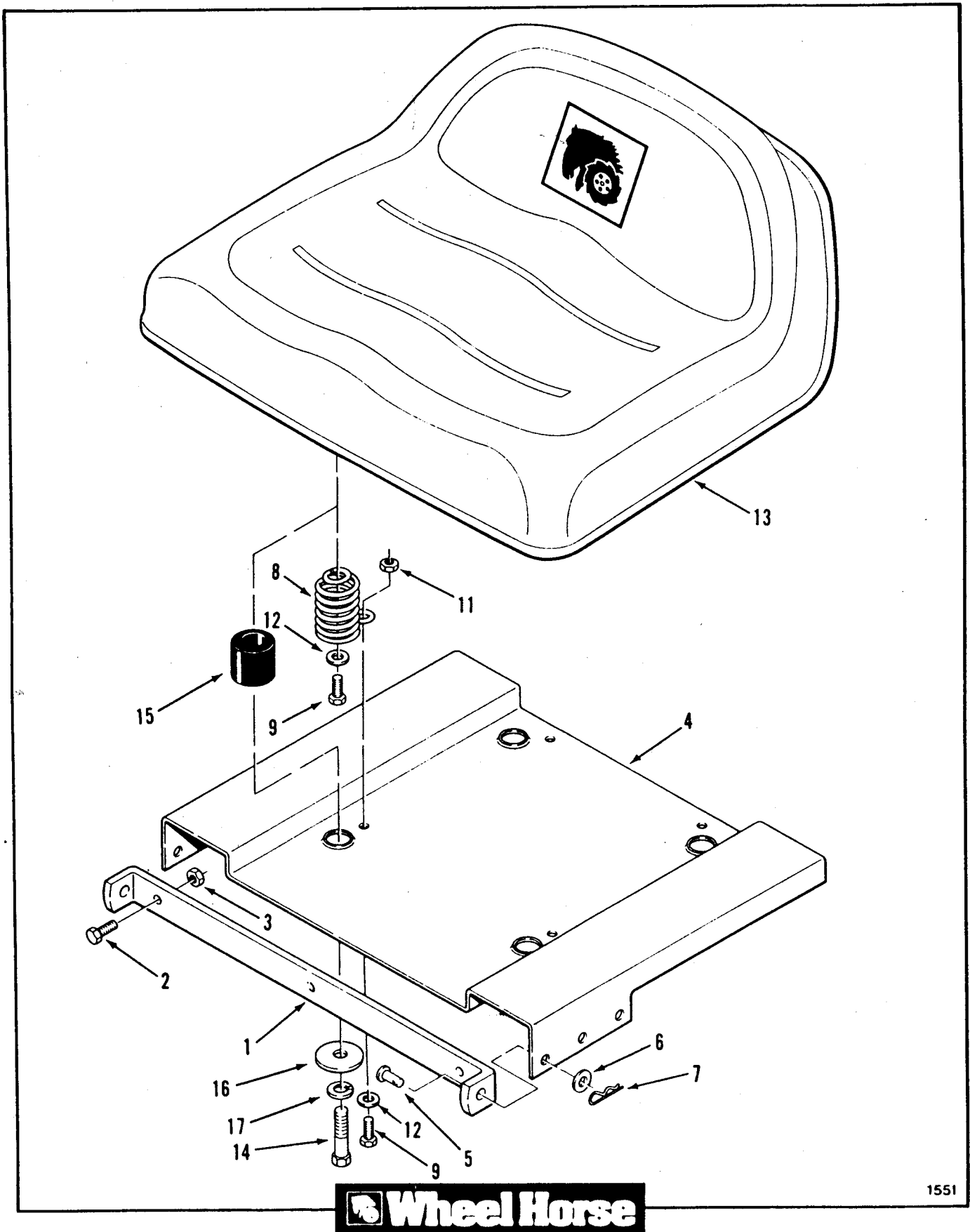


Figure 15-1 Seat And Suspension

ITEM	PART NUMBER	DESCRIPTION	100-Series
		Figure 15-1	
		SEAT AND SUSPENSION	
1	111064	Seat Mounting Bracket.....	1
2	908017	Bolt 5/16-18 x 3/4.....	3
3	915662	Eslok Nut 5/16-18.....	3
4	110349	Seat Pivot Plate.....	1
5	932960	Clevis Pin 5/8.....	2
6	108571	Spring Washer.....	2
7	933504	Hair Pin Cotter 1 7/16.....	2
8	111090	Spring.....	4
9	908017	Bolt 5/16-18 x 3/4.....	8
11	915662	Eslok Nut 5/16-18 108-4,111-5,111-6 Only.....	4
12	920008	Washer 5/16 SAE 108-4,111-5,111-6 Only.....	8
13	107016	Seat Ass'y 108-3 Only.....	1
	108912	Seat Ass'y 108-4 Only.....	1
	105999	Seat Ass'y 111-5, 111-6 Only.....	1
14	908023	Bolt 5/16-18 x 2 108-3 Only.....	4
15	110834	Seat Spacer 108-3 Only.....	4
16	2844	Special Washer 108-3 Only.....	4
17	920082	Lockwasher 5/16 108-3.....	4

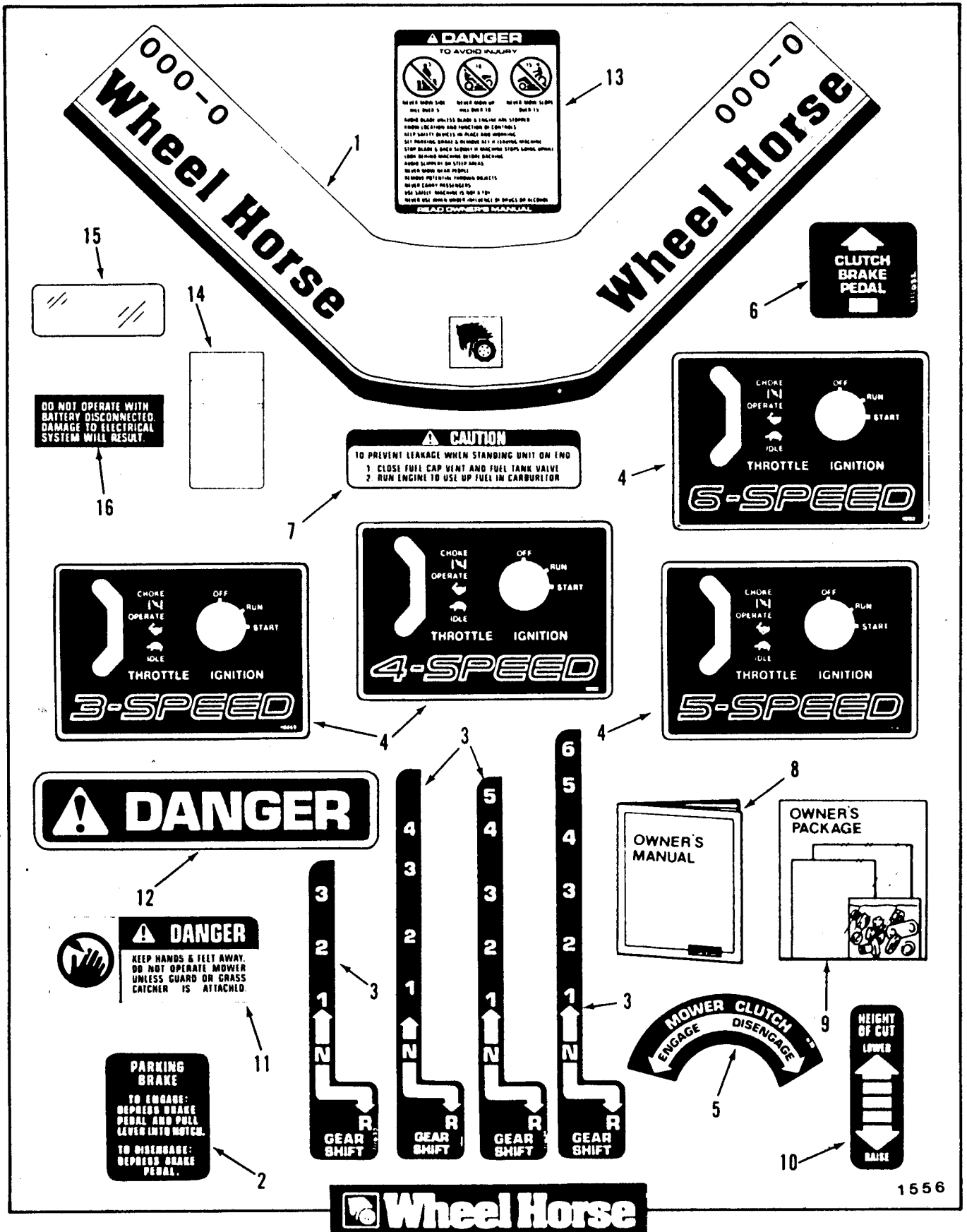


Figure 15-2 Decals And Miscellaneous

ITEM	PART NUMBER	DESCRIPTION	100-Series
Figure 15-2 DECALS AND MISCELLANEOUS			
1	110863	Front Steering Shroud Decal 108-3 Only.....	1
	112139	Front Steering Shroud Decal 108-4 Only.....	1
	110865	Front Steering Shroud Decal 111-5 Only.....	1
	112131	Front Steering Shroud Decal 111-6 Only.....	1
2	111327	Parking Brake Decal.....	1
3	111633	Shift Decal 3-Speed.....	1
	112140	Shift Decal 4-Speed.....	1
	112189	Shift Decal 5-Speed.....	1
	112180	Shift Decal 6-Speed.....	1
4	110869	Ignition Throttle Decal 108-3 Only.....	1
	112182	Ignition Throttle Decal 108-4 Only.....	1
	110870	Ignition Throttle Decal 111-5 Only.....	1
	112181	Ignition Throttle Decal 111-6 Only.....	1
5	111635	PTO Decal.....	1
6	111632	Clutch Brake Pedal Decal.....	1
7	111636	Fuel Tank Caution Decal.....	1
8	810445R1	Owners Manual.....	1
9	807101	Loose Parts Package 108-3 Only.....	1
	807104	Loose Parts Package 108-4 Only.....	1
	807097	Loose Parts Package 111-5 Only.....	1
	807098	Loose Parts Package 111-6 Only.....	1
10	111655	Mower Height Adjustment Decal.....	1
11	111188	Decal-Danger Mower.....	2
12	110422	Decal-Danger.....	1
13	112670	Decal-Operating Danger.....	1
14	111193	Decal-Maintenance.....	1
15	112403	Decal-VIN Overlay.....	1
16	111926	Decal-Electrical System.....	1

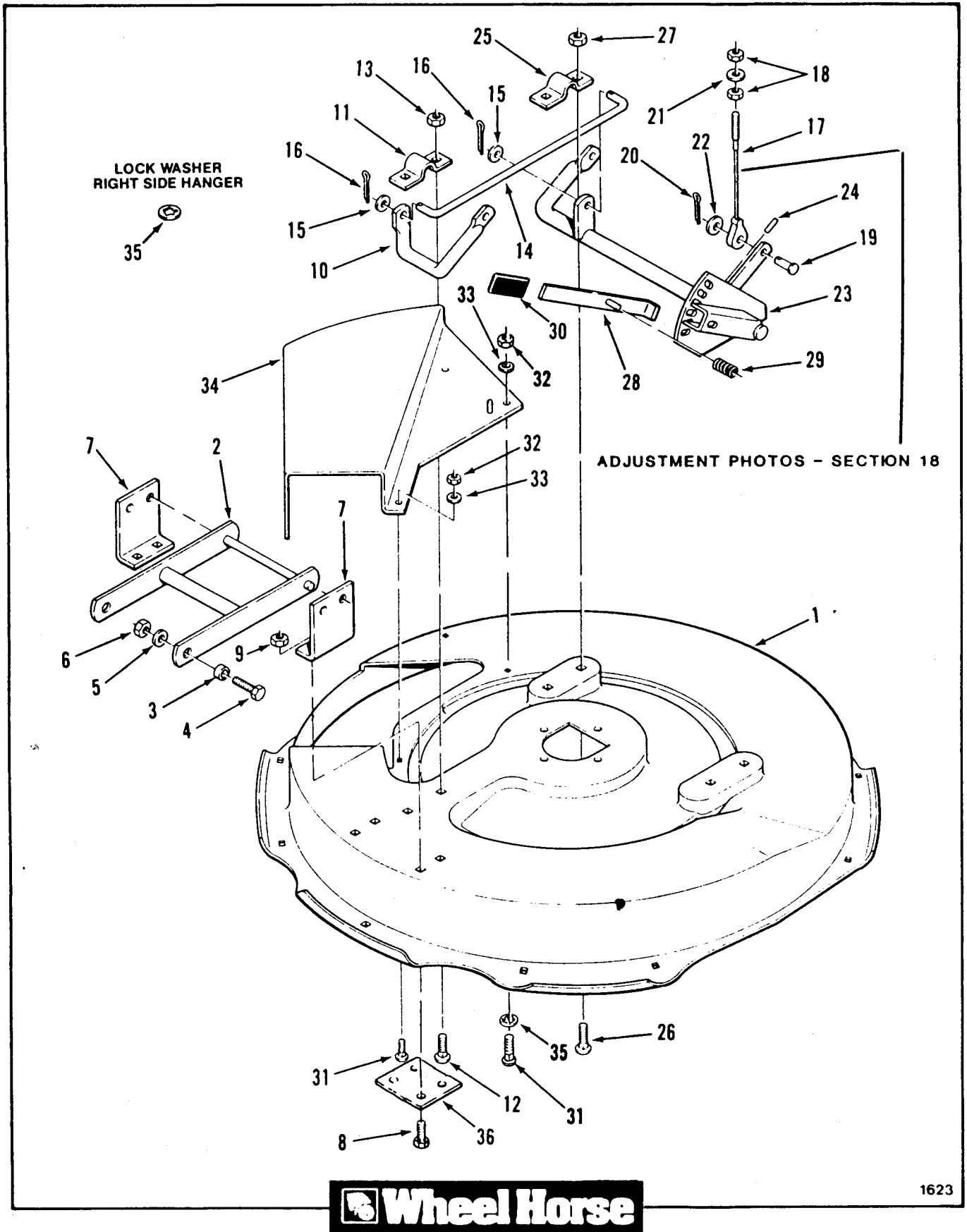
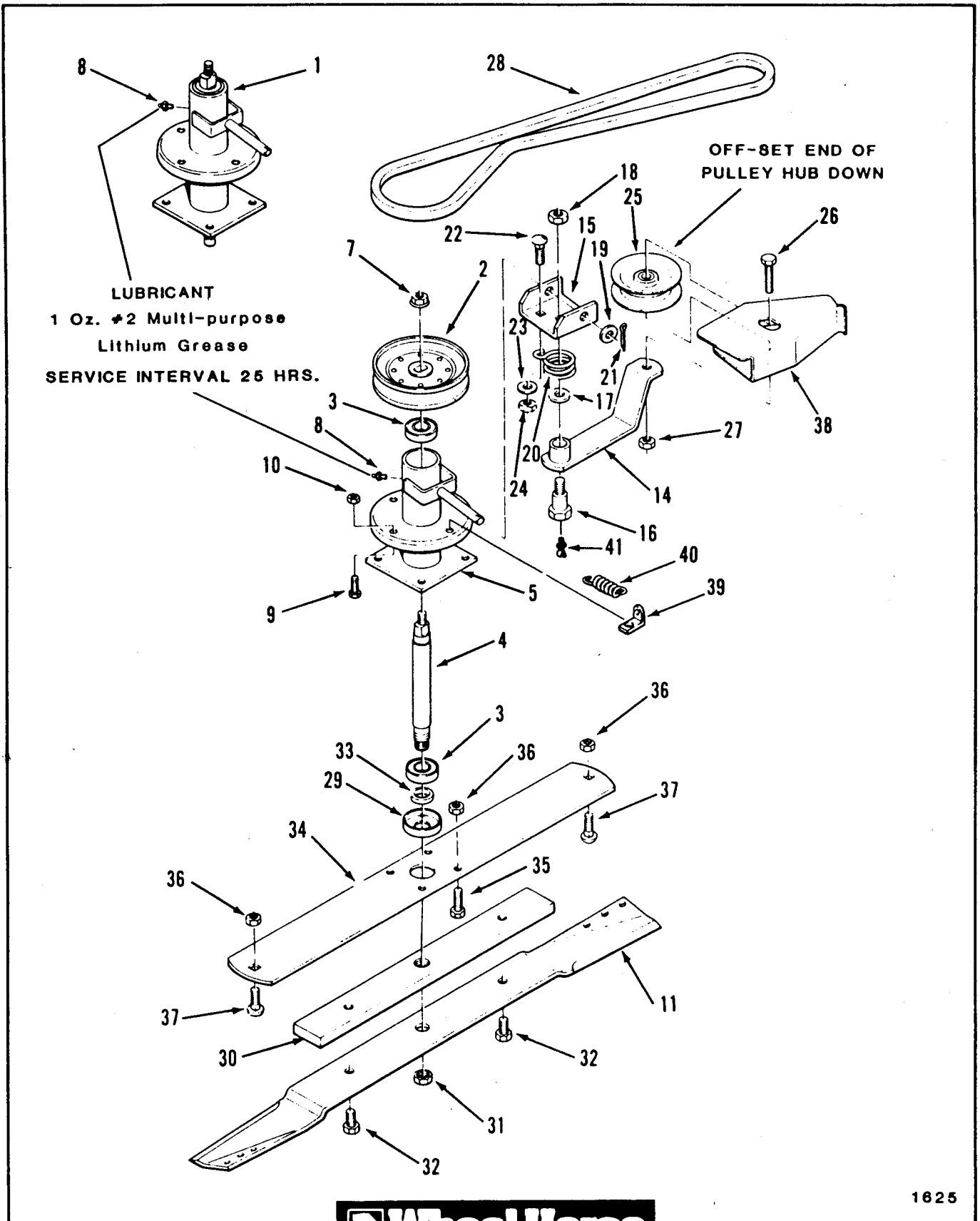


Figure 16-1 Mower Deck and Front Mount

ITEM	PART NUMBER	DESCRIPTION	100-Series
		Figure 16-1	
		MOWER DECK AND FRONT MOUNT	
1	112306	Mower Deck Assy.....	1
2	110402	Front Mower Mount.....	1
3	102704	Spacer.....	2
4	908036	Bolt 3/8-16 x 1 1/2.....	2
5	920009	Washer 3/8 SAE.....	2
6	915663	Elastic Nut 3/8-16.....	2
7	110405	Front Mower Bracket.....	2
8	908034	Hex Bolt 3/8-16 x 1.....	4
9	915663	Elastic Nut 3/8-16.....	4
10	110409	Height Adjustment Rod.....	1
11	110841	Clamp.....	1
12	900063	Carriage Bolt 3/4-16 x 1.....	2
13	915663	Elastic Nut 3/4-16.....	2
14	110914	Height Adjustment Rod.....	1
15	920009	Washer 3/8 SAE.....	2
16	932008	Cotter Pin 3/32 x 3/4.....	2
17	110412	Mower Support Cable.....	2
18	915112	Eslok Nut 5/16-18.....	4
19	932961	Clevis Pin 3/8 x 3/4.....	2
20	932008	Cotter Pin 3/32 x 3/4.....	2
21	920008	Washer 5/16 SAE.....	2
22	920009	Washer 3/8 SAE (left side only).....	1
23	110413	Height Adjustment Assy.....	1
24	933182	Spirol Pin 3/16 x 5/8.....	1
25	110841	Clamp.....	1
26	900063	Carriage Bolt 3/8-16 x 1.....	2
27	915663	Elastic Nut 3/8-16.....	2
28	110418	Height Adjustment Lever Assy.....	1
29	101853	Spring.....	1
30	102597	Grip.....	1
31	900014	Carriage Bolt 1/4-20 x 5/8.....	4
32	915661	E.S. Nut 1/4-20.....	4
33	920007	Washer 1/4 SAE.....	4
34	110481	Mower Deflector Assy.....	1
35	920155	Internal Tooth Lockwasher 5/16.....	2
36	112736	Front Mounting Plate.....	1



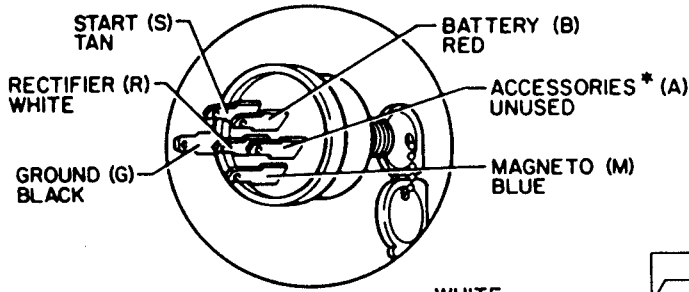
1625



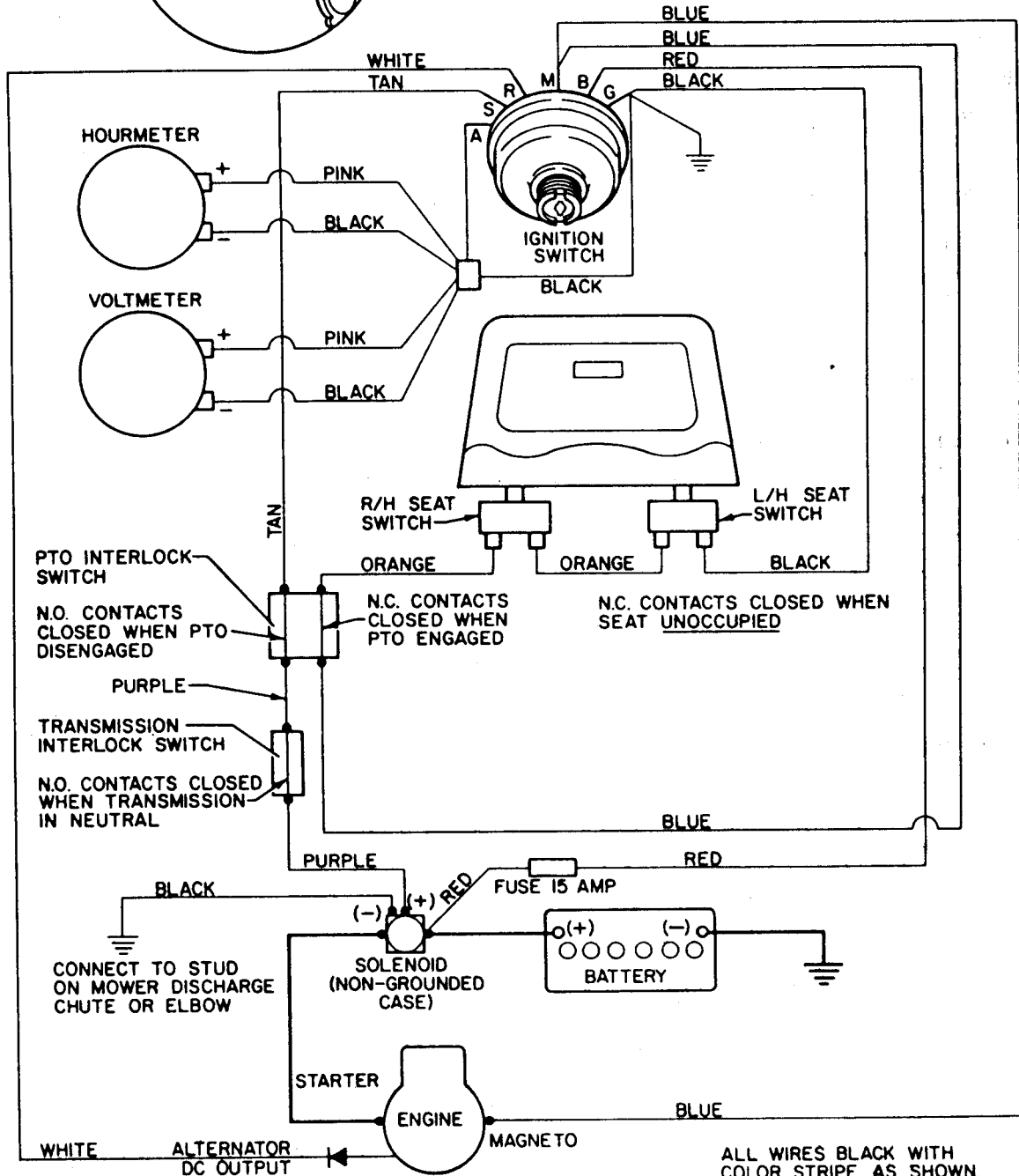
Figure 16-2 Spindle, Pulleys, and Drive Belt

ITEM	PART NUMBER	DESCRIPTION	100-Series
Figure 16-2 SPINDLE, PULLEYS, AND DRIVE BELT			
1	111137	Spindle Assy Complete.....	1
2	110441	Spindle Pulley.....	1
3	111135	Spindle Bearing.....	2
4	111140	Spindle Shaft.....	1
5	111142	Spindle Housing Assy.....	1
7	960013	Whiz Lock Nut 3/8-24.....	1
8	1030	Grease Fitting.....	1
9	908017	Bolt 5/16-18 x 3/4.....	4
10	915662	Elastic Nut 5/16-18.....	4
11	111144	Mower Blade.....	1
14	110398	Mower Idler Lever Assy.....	1
15	110400	Pivot Channel.....	1
16	112125	Shoulder Bolt 7/16-14.....	1
17	920010	Washer 7/16 SAE.....	1
18	109996	Jam Nut 7/16-14.....	1
19	920259	Special Washer.....	1
20	108177	Torsion Spring.....	1
21	932008	Cotter Pin 3/32 x 3/4.....	1
22	900063	Carriage Bolt 3/8-16 x 1.....	1
23	920009	Washer 3/8 SAE.....	1
24	915663	Elastic Nut 3/8-16.....	1
25	110910	Flat Idler Pulley.....	1
26	908037	Bolt 3/8-16 x 1 3/4.....	1
27	915663	Elastic Nut 3/8-16.....	1
28	110420	Mower Drive Belt (48").....	1
29	111156	Spindle Cup.....	1
30	111141	Blade Bar.....	1
31	915089	Nut 5/8 UNF.....	1
32	911440	Bolt 1/2-13 x 3/4 GRD 8.....	2
33	106068	Spindle Spacer.....	1
34	111138	Support Plate.....	1
35	908034	Hex Bolt 3/8-16 x 1.....	4
36	915663	E.S. Nut 3/8-16.....	6
37	900233	Carriage Bolt 3/8-16 x 3/4.....	2
38	111683	Belt Cover.....	1
39	2534	Clip.....	1
40	112228	Spring.....	1
41	1291	Grease Fitting.....	1

100 SERIES-ELECTRIC START-WIRING DIAGRAM



SWITCH POSITION	ELECTRICAL CONN. BETWEEN TERMINALS
OFF	G+M+A (SWITCH CASE GRND)
RUN	B+R+A
START	B+S

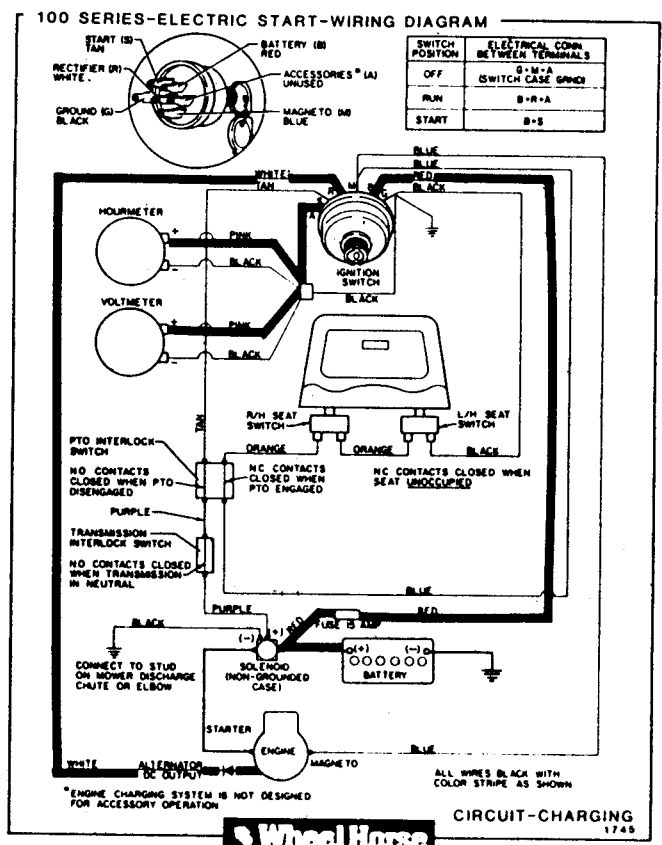
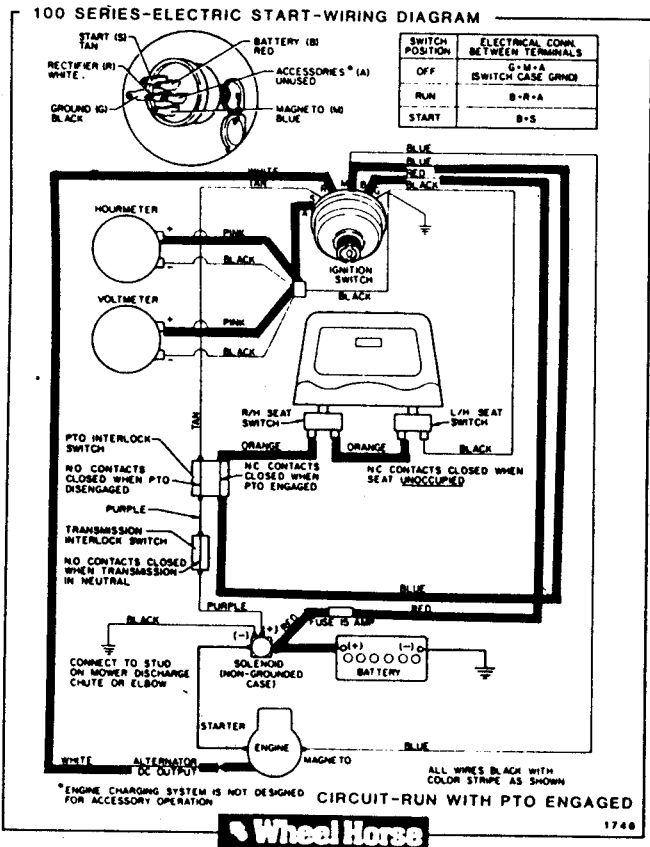
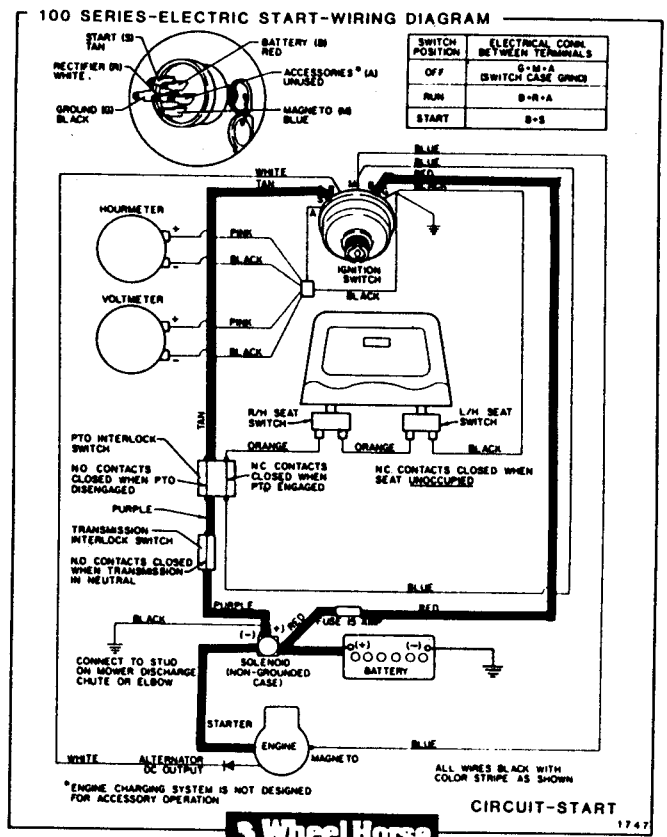
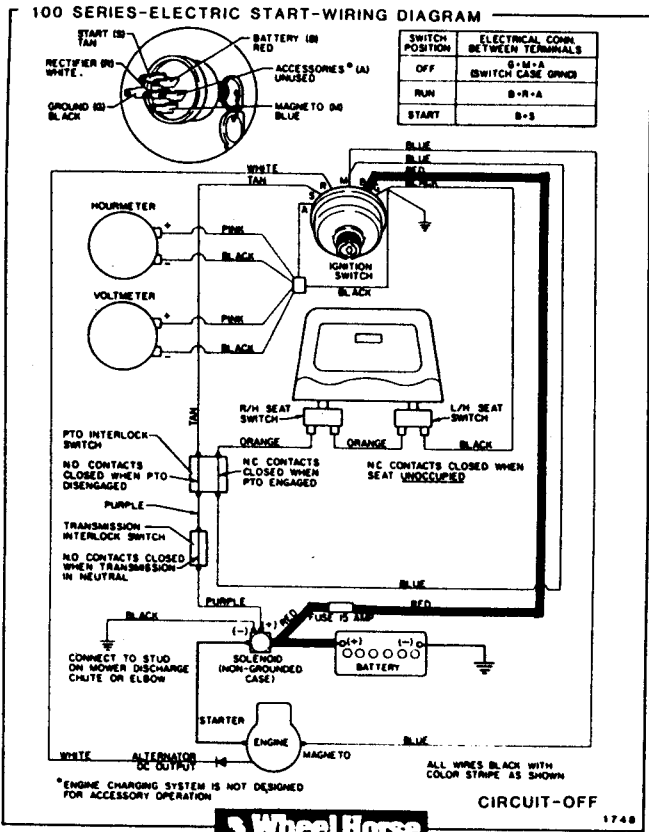


*ENGINE CHARGING SYSTEM IS NOT DESIGNED FOR ACCESSORY OPERATION

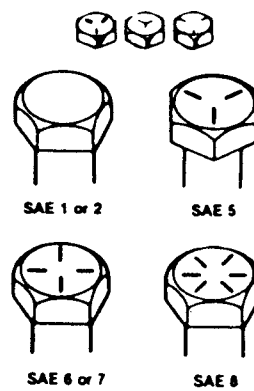
ALL WIRES BLACK WITH COLOR STRIPE AS SHOWN.



Figure 17-1 Wiring Diagram - Electric Start



TORQUE SPECIFICATIONS

BOLT HEAD MARKINGS	BOLT BODY SIZE In. - Thread	SAE GRADE 1 or 2		SAE GRADE 5		SAE GRADE 6 or 7		SAE GRADE 8	
		Torque		Torque		Torque		Torque	
		Ft-Lb	Nm	Ft-Lb	Nm	Ft-Lb	Nm	Ft-Lb	Nm
<p>Manufacturer's marks may vary. Three-line markings on heads shown below, for example, indicate SAE Grade 5.</p>  <p>SAE 1 or 2 SAE 5</p> <p>SAE 6 or 7 SAE 8</p>	1/4-20 -28	5 6	6.8 8.1	8 10	10.8 13.6	10 13.6	12 14	16.2 19.0	
	5/16-18 -24	11 13	15.0 17.6	17 19	23.0 25.8	19 25.8	24 27	32.5 36.6	
	3/8-16 -24	18 20	24.4 27.1	31 35	42.0 47.5	34 46.1	44 49	59.7 66.4	
	7/16-14 -20	28 30	38.0 40.7	49 55	66.4 74.6	55 74.6	70 78	95.0 105.8	
	1/2-13 -20	39 41	52.9 55.6	75 85	101.7 115.2	85 115.2	105 120	142.4 162.7	
	9/16-12 -18	51 55	69.1 74.6	110 120	149.1 162.7	120 162.7	155 170	210.1 230.5	
	5/8-11 -18	83 95	112.5 128.8	150 170	203.3 230.5	167 226.4	210 240	284.7 325.4	
	3/4-10 -16	105 115	142.4 155.9	270 295	366.1 400.0	280 379.6	375 420	508.4 569.4	
	7/8- 9 -14	160 175	216.9 237.3	395 435	535.5 589.8	440 596.6	605 675	820.3 915.2	
	1- 8 -14	235 250	318.7 339.0	590 660	799.9 894.8	660 894.8	910 990	1233.8 1342.2	

FUEL LINE

50' bulk fuel line ID .250 x OD .550 — #112570

FASTENERS

- All hex bolts GRADE 5 minimum, GRADE 8 used as noted.
- All carriage bolts GRADE 1 unless otherwise noted.
- In place of ESLOK or E.S. nuts, use LOCTITE or lock washers with free running nuts.

PAINT

Red Enamel — 6 cans, order #8-0311

Red Enamel — Quart can #5340 (Non-aerosol)*

Beige Enamel — 6 cans, order #8-0321

Black Enamel — 6 cans, order #8-0334

Pewter Metallic Enamel — 6 cans, order #8-0335

(Automotive Equivalent: 1971 Lincoln-Mercury Pewter Metallic)

White Enamel — 6 cans, order #8-0336

Pewter Gray Enamel — 6 cans, order #8-0337

(Automotive Equivalent: 1982 Lincoln Light Pewter)

Silver Metallic Enamel — 6 cans, order #8-0338

Pewter Gray Enamel — Quart can #5347 (Non-aerosol)**

- * Thinning — use zylol (slow drying time) or toluol (fast drying time)
- ** Thin with zylol

Part	Fig. No.	Part	Fig. No.	Part	Fig. No.	Part	Fig. No.
1030.....	16-2	107750.....	14-1	110398.....	16-2	110886.....	13-1
1120.....	13-1	107831.....	11-1	110400.....	16-2	110888.....	13-1
1278.....	5-1	108172.....	14-2	110402.....	16-1	110889.....	5-1
1291.....	16-2	108177.....	16-2	110405.....	16-1	110892.....	5-1
2844.....	6-1	108444.....	13-1	110406.....	1-1	110893.....	11-1
2844.....	15-1	108571.....	14-2	110409.....	16-1	110895.....	9-1
3023.....	11-1	108571.....	15-1	110411.....	16-1	110898.....	13-1
5108.....	13-1	108768.....	11-1	110412.....	16-1	110899.....	13-1
5210.....	13-1	108912.....	15-1	110413.....	16-1	110910.....	16-2
5224.....	9-1	108854.....	6-1	110418.....	16-1	110911.....	6-1
5701.....	3-1	108861.....	6-1	110420.....	16-2	110913.....	1-1
5924.....	11-1	108898.....	10-1	110422.....	15-2	110914.....	16-1
6651.....	14-2	108995.....	11-1	110423.....	10-1	110923.....	5-1
8205.....	14-1	109117.....	11-1	110424.....	11-1	110924.....	5-1
8510.....	14-2	109154.....	13-1	110426.....	1-1	110925.....	10-1
8714.....	10-1	109229.....	1-1	110427.....	11-1	110926.....	10-1
8765.....	11-1	109261.....	13-1	110430.....	8-1	110961.....	1-1
8830.....	8-1	109262.....	5-1	110439.....	9-1	110962.....	1-1
8971.....	14-2	109262.....	13-1	110440.....	14-2	110965.....	5-1
9038.....	14-2	109327.....	11-1	110441.....	16-2	110966.....	16-2
9792.....	13-1	109355.....	11-1	110459.....	11-1	110971.....	11-1
100041.....	13-1	109375.....	11-1	110470.....	8-1	111045.....	11-1
100166.....	13-1	109378.....	11-1	110481.....	16-1	111055.....	14-2
100571.....	11-1	109500.....	13-1	110501.....	11-1	111056.....	14-2
101853.....	16-1	109650.....	11-1	110618.....	14-2	111058.....	14-2
101884.....	11-1	109779.....	14-1	110741.....	11-1	111061.....	14-2
102597.....	3-1	109779.....	14-2	110771.....	9-1	111064.....	15-1
102597.....	16-1	109832.....	6-1	110772.....	9-1	111070.....	6-1
102651.....	11-1	109996.....	16-2	110773.....	9-1	111071.....	8-1
102704.....	16-1	110167.....	11-1	110774.....	9-1	111075.....	11-1
103628.....	6-1	110311.....	1-1	110775.....	9-1	111085.....	1-1
104047.....	10-1	110320.....	5-1	110834.....	15-1	111087.....	1-1
104048.....	10-1	110323.....	8-1	110835.....	3-1	111088.....	1-1
104525.....	14-1	110324.....	5-1	110836.....	3-1	111090.....	15-1
104525.....	14-2	110326.....	3-1	110841.....	16-1	111102.....	5-1
104636.....	13-1	110330.....	3-1	110848.....	3-1	111106.....	3-1
104841.....	6-1	110340.....	6-1	110849.....	3-1	111108.....	6-1
104841.....	8-1	110349.....	15-1	110853.....	11-1	111108.....	14-1
104869.....	3-1	110352.....	10-1	110863.....	15-2	111109.....	3-1
105293.....	13-1	110353.....	8-1	110865.....	15-2	111135.....	16-2
105306.....	11-1	110354.....	8-1	110869.....	15-2	111136.....	14-1
105312.....	11-1	110360.....	9-1	110870.....	15-2	111137.....	16-2
105490.....	11-1	110362.....	14-1	110875.....	9-1	111138.....	16-2
105999.....	15-1	110363.....	6-1	110877.....	9-1	111140.....	16-2
106068.....	16-2	110364.....	14-1	110878.....	10-1	111141.....	16-2
106331.....	8-1	110365.....	14-2	110879.....	13-1	111142.....	16-2
106388.....	14-2	110369.....	14-2	110880.....	13-1	111144.....	16-2
106449.....	8-1	110371.....	14-2	110881.....	13-1	111156.....	16-2
106573.....	14-2	110372.....	14-2	110882.....	13-1	111159.....	6-1
106649.....	6-1	110377.....	11-1	110883.....	13-1	111185.....	11-1
107016.....	15-1	110387.....	13-1	110884.....	13-1	111188.....	15-2
107045.....	10-1	110391.....	13-1	110885.....	13-1	111193.....	15-2

Part	Fig. No.	Part	Fig. No.	Part	Fig. No.	Part	Fig. No.
111214.....	11-1	112139.....	15-2	908036.....	16-1	920009.....	9-1
111215.....	11-1	112140.....	15-2	908037.....	16-2	920009.....	14-2
111220.....	11-1	112180.....	15-2	908038.....	14-1	920009.....	16-1
111299.....	1-1	112181.....	15-2	908038.....	14-2	920010.....	16-2
111300.....	1-1	112182.....	15-2	908040.....	14-2	920015.....	5-1
111301.....	1-1	112195.....	13-1	908153.....	3-1	920039.....	14-1
111303.....	1-1	112196.....	13-1	908196.....	14-1	920081.....	3-1
111306.....	8-1	112289.....	3-1	909862.....	14-1	920081.....	9-1
111324.....	1-1	112302.....	5-1	909862.....	14-2	920081.....	11-1
111325.....	1-1	112306.....	16-1	910792.....	10-1	920082.....	9-1
111326.....	9-1	112403.....	15-2	911439.....	1-1	920082.....	15-1
111327.....	15-2	112425.....	14-2	911440.....	16-2	920120.....	11-1
111335.....	11-1	112502.....	1-1	913183.....	3-1	920122.....	11-1
111339.....	11-1	112509.....	14-1	913183.....	8-1	920155.....	8-1
111340.....	11-1	112670.....	15-2	913406.....	9-1	920155.....	16-1
111341.....	11-1	112676.....	9-1	915089.....	16-2	920160.....	11-1
111357.....	3-1	112736.....	16-1	915111.....	11-1	920215.....	5-1
111363.....	11-1	112764.....	14-1	915111.....	14-2	920237.....	5-1
111364.....	11-1	112910.....	9-1	915112.....	8-1	920249.....	14-2
111365.....	11-1	518007.....	11-1	915112.....	9-1	920250.....	13-1
111392.....	3-1	518074.....	11-1	915112.....	11-1	920259.....	3-1
111632.....	15-2	518077.....	11-1	915112.....	16-1	920259.....	16-2
111633.....	15-2	518246.....	11-1	915113.....	8-1	926720.....	3-1
111635.....	15-2	519337.....	3-1	915234.....	11-1	926720.....	5-1
111636.....	15-2	519337.....	11-1	915538.....	11-1	932008.....	1-1
111655.....	15-2	807101.....	15-2	915661.....	5-1	938018.....	11-1
111676.....	14-2	807104.....	15-2	915661.....	14-2	932008.....	3-1
111683.....	16-2	807097.....	15-2	915661.....	16-1	932008.....	5-1
111715.....	6-1	807098.....	15-2	915662.....	1-1	932008.....	6-1
111729.....	14-2	810445R1... 15-2		915662.....	3-1	932008.....	8-1
111730.....	14-2	900014.....	16-1	915662.....	8-1	932008.....	14-2
111755.....	14-2	900233.....	16-2	915662.....	9-1	932008.....	16-1
111926.....	15-2	908002.....	14-2	915662.....	14-1	932008.....	16-2
111938.....	13-1	908003.....	9-1	915662.....	14-2	932018.....	5-1
112102.....	3-1	908006.....	5-1	915662.....	15-1	932018.....	13-1
112103.....	5-1	908015.....	8-1	915662.....	16-2	932037.....	1-1
112104.....	5-1	908015.....	8-1	915663.....	1-1	932960.....	15-1
112106.....	5-1	908017.....	3-1	915663.....	3-1	932961.....	16-1
112108.....	5-1	908017.....	8-1	915663.....	6-1	933182.....	16-1
112109.....	14-2	908017.....	15-1	915663.....	8-1	933504.....	15-1
112110.....	14-2	908019.....	8-1	915663.....	9-1	933505.....	1-1
112111.....	14-2	908019.....	16-2	915663.....	16-1	936021.....	14-2
112114.....	14-2	908021.....	9-1	915663.....	16-2	937089.....	14-2
112120.....	9-1	908022.....	14-1	915740.....	10-1	937225.....	14-1
112121.....	13-1	908023.....	9-1	920007.....	16-1	938018.....	11-2
112123.....	13-1	908023.....	15-1	920008.....	3-1	960013.....	16-2
112125.....	16-2	908025.....	3-1	920008.....	8-1	960151.....	11-1
112128.....	3-1	908026.....	3-1	920008.....	9-1	MW1455.....	1-1
112129.....	5-1	908032.....	6-1	920008.....	14-1		
112130.....	5-1	908033.....	1-1	920008.....	14-2		
112131.....	15-2	908033.....	9-1	920008.....	15-1		
112136.....	3-1	908034.....	16-1	920008.....	16-1		
112137.....	3-1	908034.....	16-2	920009.....	1-1		
112138.....	3-1	908035.....	6-1	920009.....	6-1		